

Load Monitoring products



making the lifting industry a safer place



Crosby® | **SP**®
know the load

Company Profile



Since 1976 Straightpoint's world-class, solution-based systems have been at the forefront of industrial weighing and load monitoring technology. Now a part of the Crosby Group, the largest manufacturers of rigging and lifting equipment globally, the symbiosis is seamless and has only enhanced what we can offer customers.

With UK headquarters and global dealer network, the simple to use, cost-effective product range has enhanced safety for engineers and rigging professionals worldwide for over 40 years. The engineering team design and manufacture a broad spectrum of first-class load monitoring systems to capabilities in excess of 1,500 tonnes to include:

The Crosby|Straightpoint team pride themselves on the development and distribution of world-class load monitoring, weighing and force measurement systems.

- Tension 'Link' load cells
- Cable and synthetic rope tensionmeters
- Shackle load cells
- Dynamometers
- Crane scales
- Compression load cells
- Load pins
- Software solutions

Crosby|Straightpoint wireless Windows-based software, and full line of accessories allow for the simple and easy acquisition an analysis of force and load monitoring data.

Continuously producing and adding industry leading innovations to their product catalogue; Crosby|Straightpoint provide lifting and rigging professionals with the pinnacle in solutions for lifting projects.

Such recent innovations include the introduction of the HHP App (iOS/Android). The accompanying Bluetooth wireless telemetry load cell product range, along with the latest connectivity technology, help combine it to become a highly effective remote monitoring tool.

All Crosby|Straightpoint products are fully tested and available for next-day despatch in an aluminium flight case (or wooden crate for large capacities) with full documentation, including multi-lingual manuals, certificates, or calibration/proof test and CE conformity. All products also come with a 2-year guarantee certification to reflect the confidence they have in what they provide.

- Shipping and marine
- Mining
- Transport
- Health and safety
- Entertainment
- Crane and rigging
- Salvage and decommissioning
- Oil and gas
- Construction
- Power generation
- Utilities
- Topsides
- Break bulk
- Military

Crosby|Straightpoint's highly qualified team of product specialists are available to assist with any application, and its global network of first-class distributors ensure that wherever your location, an approved Straightpoint dealer is close by.

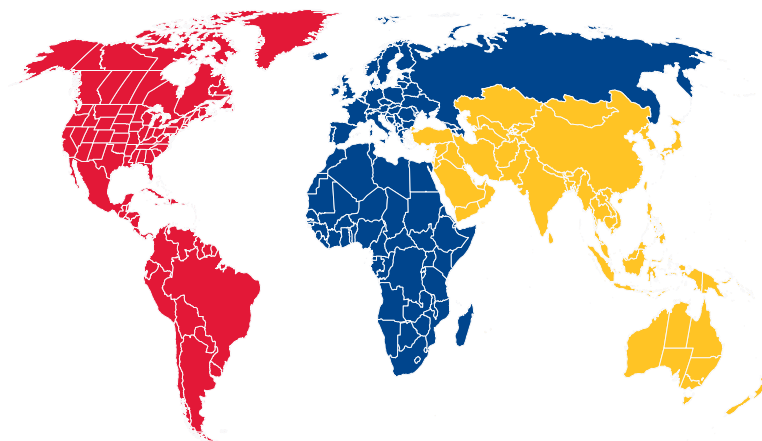
Crosby|Straightpoint's continued investment in research and development enables them to remain at the forefront of technological development with the world-leading products and performance to meet their customers' demands.

With hundreds of units always in stock, Crosby|Straightpoint aim to deliver any standard product up to capacities in excess of 1,500 tonnes anywhere in the world – FAST!

| Pg. | Part No. | Description |
|-----|----------|-------------|
|-----|----------|-------------|

| | | |
|-------|--------------------|--|
| 02-03 | RLP | Radiolink plus |
| 04-05 | WLS | Wireless Loadshackle |
| 06-07 | BLD | BlueLink Dynamometer |
| 08-09 | WNITC | LoadSafe |
| 10-11 | COLT | Clamp On Line Tensionmeter® |
| 12-13 | CS | CableSafe |
| 14-15 | TIMH | Running Line Dynamometer |
| 16-17 | Towcell® | Towcell® |
| 18-19 | INSIGHT/PTP | INSIGHT Software / Proof Test plus® |
| 20-21 | HHP App | Wireless Accessories / HHP App |
| 22-23 | HHP/SW-HHP | Wireless and Cabled HHP / Accessories |
| 24-25 | SL | Subsea link |
| 26-27 | LLP | Loadlink plus |
| 28-29 | WLP | Wirelink plus |
| 30-31 | SLB | Loadshackle |
| 32-33 | NITC | Compression Load Cell |
| 34-35 | LP | Loadpin |
| 36-37 | LBP | Loadblock plus |
| 38-39 | MWP | Miniweigher plus |
| 40-41 | - | Accreditations and Affiliations / Industries |

Straightpoint Global Distribution



Accreditations

Straightpoint is an ISO9001:2008 approved company (registration number FM 584438) audited by the British Standards Institute (BSI) who are a notified UKAS body.

Straightpoint's hazardous area products are verified by SIRA, notification No: SIRA 15 ATEX M725

Members of key associations such as LEEA (Lifting Equipment Engineers Association), AWRF (American Wire Rope Fabricators) and SC&RA (Specialized Carriers & Rigging Association).

Several key personnel are members of ASME (American Society of Mechanical Engineers).



Warranty

All Straightpoint products ship with a two-year warranty.

Contact details

Crosby | Straightpoint

Unit 9, Dakota Park
Downley Road
Havant, Hampshire
PO9 2NJ · UK

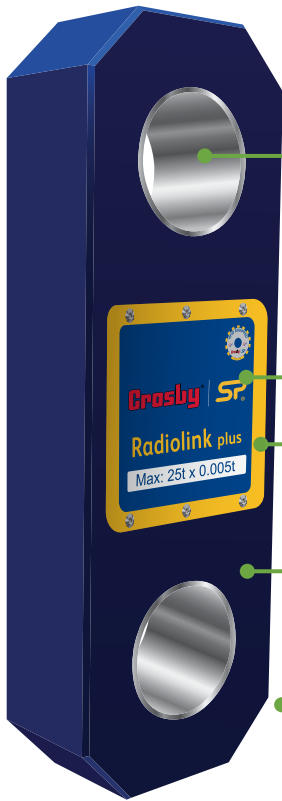
Tel: +44 (0)2392 484491

2801 Dawson Road
Tulsa, OK 74110 · USA

Tel: +1 (918) 834-4611



Radiolink plus



Hardened bushes to accept industry standard shackles

Std. AA Batteries 1200hrs Easy no tools access

Internal Antennae

Environmental protection IP67 or NEMA6

High-quality hard anodised aerospace aluminium

Angular ends to reduce weight and snagging when rigged



1000m or 3280ft Wireless Range

Reads up 4 load cells simultaneously

Low Battery Signal Strength

90db Audible Overload Alarm

Multiple Display Units t/lbs/kg/kN

200Hz Peak Hold

Tare

Radiolink plus is designed to be rigged with Crosby standard shackles - DNV-GL type approved wireless tension load cell capable of weighing and dynamic load monitoring in capacities from 1t to 500t – from stock with an ATEX and IECEx version available for hazardous areas, zones 0, 1 & 2.

Two versions of the RLP are available:

- Long range 2.4GHz version providing industry-leading wireless range of 1000m or 3280ft to SP's SW-HHP handheld or software options.
- Bluetooth output and can be connected to any smart phone running our free HHP app on iOS or Android, at ranges up to 100m or 328ft.

Constructed from high-quality aerospace grade aluminium, the RLP features an advanced internal design structure. This design provides the product with an unrivalled strength to weight ratio. The use of a separate internal sealed enclosure administers the load cell's electronic components with IP67 or NEMA6 environmental protection, even with the battery cover plate missing. All these features makes it an industry-leading dynamometer, suitable for use in the harshest of environments.

The versatile RLP is able to provide an update rate of 3Hz and can be easily configured to run at industry-leading speeds of up to 200Hz, making it ideal for dynamic force measurement.

Decades of development into this product include many stand out features such as SP's unique strain gauging method that helps compensate for wire rope torque when the Radiolink is loaded. The Radiolink plus tension load cell can also be used in combination with Crosby|Straightpoint 'INSIGHT' high speed wireless data logging software allowing for simultaneous control, display and real time data logging of up to 126 Crosby|Straightpoint wireless load cells.

A full array of wireless accessories are also available including wireless score board, overload alarm and base station with analogue (4-20mA) or 2 relay or RS485 ASCII outputs.

Features and benefits:

- Proprietary 2.4 GHz Wireless
- Remote On-Off from handheld display or software
- ATEX Zones 0, 1 & 2 available
- Design validated by F.E.A.
- 2-year warranty
- DNV-GL Type Approval
- Complies with ASME B30.26
- Bluetooth option is available and is supplied with a free HHP App for iOS and Android

Accessories available for the handheld:

Wall or Cab Mount Bracket
SP Crosby Part Nos. **SU3282 2789228**

Rugged Rubber Boot
SP Crosby Part Nos. **SU4045 2789232**

Also available with hazardous area approval. Zones 0, 1 & 2



ATEX / IECEx

Ex ia II C T4 Ga

Certification numbers:

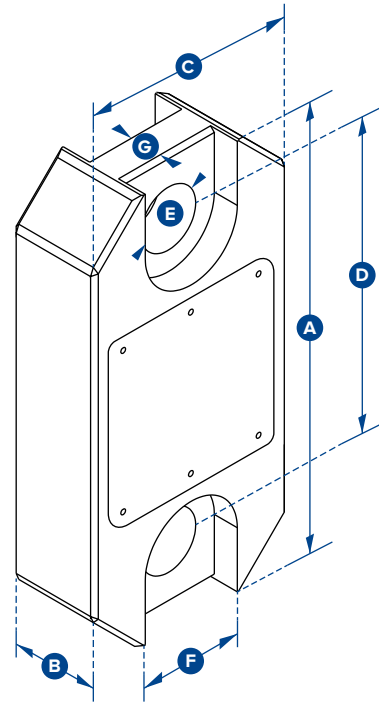
RLP ATEX

IECEX SIR 15.0071X / Sira 15ATEX2195X

SW-HHP ATEX

IECEX SIR 15.0072X / Sira 15ATEX2196X

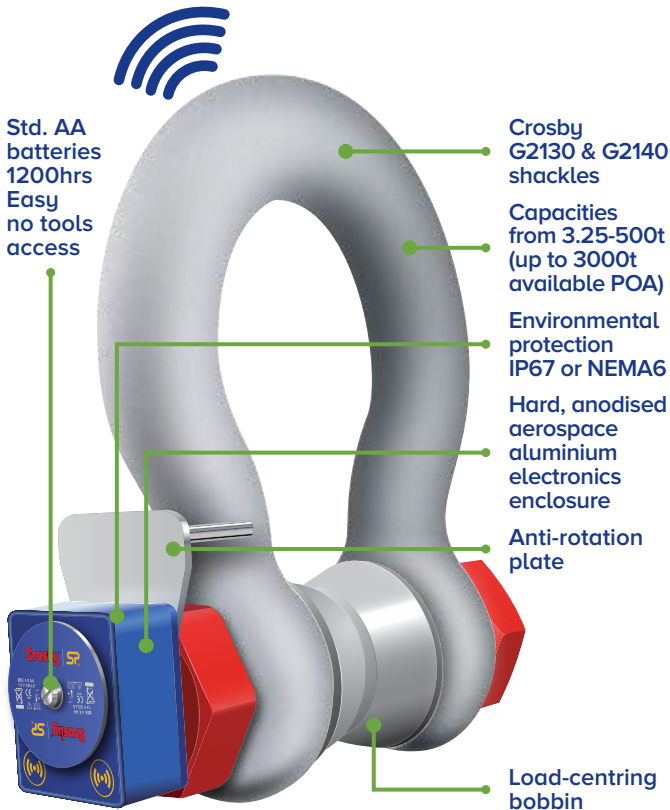
Add 'ATEX' to the part number when ordering ATEX/IECEX products. For example: RLP6T5-ATEX



| Part Numbers | | | | | | | | | | | | | | |
|----------------|--|-----------------|------------------|-------------------------------|-----------------|-----------------|------------------|------------------|-------------------|-------------------|-------------------|-------------------|-------------------|--------------------|
| SP | RLP1T | RLP2T5 | RLP6T5 | RLP12T | RLP25T | RLP35T | RLP55T | RLP75T | RLP100T | RLP150T | RLP200T | RLP250T | RLP300T | RLP500T |
| Crosby | 2789084 | 2789089 | 2789094 | 2789082 | 2789088 | 2789091 | 2789093 | 2789095 | 2789081 | 2789083 | 2789085 | 2789087 | 2789090 | 2789092 |
| Capacity | 1,000kg 2200lb | 2.5te 5500lb | 6.5te 14300lb | 12te 26000lb | 25te 55000lb | 35te 77000lb | 55te 120000lb | 75te 165000lb | 100te 220000lb | 150te 330000lb | 200te 440000lb | 250te 550000lb | 300te 660000lb | 500te 1100000lb |
| Resolution | 0.5kg 1lb | 0.001te 2lb | 0.001te 2lb | 0.002te 5lb | 0.005te 10lb | 0.005te 10lb | 0.01te 20lb | 0.01te 20lb | 0.05te 100lb | 0.05te 100lb | 0.1te 200lb | 0.1te 200lb | 0.1te 200lb | 0.1te 200lb |
| Units | kg lb | te lb | te lb | te lb | te lb | te lb | te lb | te lb | te lb | te lb | te lb | te lb | te lb | te lb |
| Weight | 1.5kg 3.3lb | 1.5kg 3.3lb | 2.4kg 5.3lb | 3.7kg 8.2lb | 5kg 11lb | 8.6kg 19lb | 13kg 28.7lb | 16kg 35.3lb | 34kg 75lb | 46kg 101.4lb | 82kg 180.8lb | 82kg 180.8lb | 118kg 260lb | 193kg 425.5lb |
| Safety Factor | 12:1 | 7:1 | 7:1 | 7:1 | 5:1 | 5:1 | 5:1 | 5:1 | 5:1 | 5:1 | 4:1 | 5:1 | 5:1 | 5:1 |
| Battery Type | Handheld 2 x AA / Load cell 4 x AA | | | | | | | | | | | | | |
| Battery Life | Handheld - 40 hours / Load cell 1200 hours continuous (Load cell 500 hours if Bluetooth) | | | | | | | | | | | | | |
| Display Type | 240 x 128 pixel Multi-line dot matrix with backlight | | | | | | | | | | | | | |
| Operating Temp | -10°C to +50°C or 14°F to 122°F | | | | | | | | | | | | | |
| Accuracy | ±0.1% of full scale | | | | | | | | | | | | | |
| Frequency | 2.4 GHz | | | | | | | | | | | | | |
| System Range | 1000 metres or 3280 feet (100 metres or 328 feet if Bluetooth) | | | | | | | | | | | | | |
| Data Rate | 3 Hz - up to 200 Hz can be ordered for dynamic load monitoring applications | | | | | | | | | | | | | |
| Protection | IP67 or NEMA6 | | | | | | | | | | | | | |
| Dimension A | 204 8.03" | 204 8.03" | 249 9.80" | 305 12.01" | 340 13.39" | 393 15.47" | 424 16.69" | 470 18.50" | 608 23.94" | 670 26.38" | 700 27.56" | 700 27.56" | 806 31.73" | 930 36.61" |
| Dimension B | 43 1.69" | 43 1.69" | 43 1.69" | 47 1.85" | 60 2.36" | 75 2.95" | 75 2.95" | 75 2.95" | 99 3.90" | 99 3.90" | 144 5.67" | 144 5.67" | 150 5.91" | 150 5.91" |
| Dimension C | 104 4.09" | 104 4.09" | 113 4.45" | 113 4.45" | 115 4.53" | 126 4.96" | 180 7.09" | 202 7.95" | 255 10.04" | 303 11.93" | 350 13.78" | 350 13.78" | 426 16.77" | 570 22.44" |
| Dimension D | 146 5.75" | 146 5.75" | 165 6.50" | 193 7.60" | 215 8.46" | 225 8.86" | 230 9.06" | 260 10.24" | 320 12.60" | 360 14.17" | 350 13.78" | 350 13.78" | 350 13.78" | 450 17.72" |
| Dimension ØE | 24.5 0.96" | 24.5 0.96" | 38 1.50" | 47.5 1.87" | 55 2.17" | 60 2.36" | 76 2.99" | 76 2.99" | 109 4.29" | 109 4.29" | 145 5.71" | 145 5.71" | 160 6.30" | 200 7.87" |
| Dimension F | 48 1.89" | 48 1.89" | 65 2.60" | Not relevant in this capacity | | | | | | | | | | |
| Dimension G | 19 0.75" | 19 0.75" | 32 1.26" | | | | | | | | | | | |
| Crosby Shackle | G2130 | | | | | G2140 | | | | | | | G2160 | |
| Loading Pin Ø | 19 3/4" | 19 3/4" | 25 1" | 35 1 3/8" | 51 2" | 57 2 1/4" | 57 2 1/4" | 70 2 3/4" | 83 3 1/4" | 95 3 3/4" | 121 4 3/4" | 127 5" | 152 6" | 180 7 1/8" |

Wireless Loadshackle

Internal Antennae
Wireless Range of
1000m or 3280ft



Features and benefits:

- Wireless Range of 1000m or 3280ft
- Electronics housed in hard anodised enclosure
- Environmentally sealed to IP67 or NEMA6
- Battery Life of 1200hrs from 4 x AA batteries
- Internal Antennae
- Remote On-Off from handheld display or software
- Supplied with a load-centring bobbin
- 2-year warranty
- Complies with ASME B30.26
- Design validated by F.E.A.
- ATEX Zones 0, 1 & 2 available

- Bluetooth option is available and is supplied with a free HHP App for iOS and Android
See page 21

Straightpoint's Wireless Loadshackle (WLS) provides the perfect solution to limited headroom or super heavy lift projects. Available from stock in capacities from 3.25t to 500t (up to 3000t available POA), the WLS is constructed using industry-leading shackles from Crosby.

Two versions of the WLS are available:

- Long range 2.4Ghz version, providing industry-leading wireless range of 1000m or 3280ft to SP's SW-HHP handheld or software options.
- Bluetooth output and can be connected to any smart phone running our free HHP app on iOS or Android, at ranges up to 100m or 328ft.

Each WLS is proof tested, then equipped with a hard-anodised aluminium electronics enclosure. Contained within this enclosure is an internal chassis providing IP67 or NEMA6 environmental protection, even with the battery cover plate missing.

Featuring industry leading wireless technology, the WLS can maintain an update rate of 3Hz. It can be easily configured to run at industry-leading speeds of up to 200Hz, if required for dynamic load measurement projects.

Utilising easily sourced AA alkaline batteries, the WLS features advanced circuitry, designed to protect the unit from damage associated with incorrectly installed batteries. This circuitry extends battery life, and the use of easily-sourced alkaline batteries, eliminating issues associated with rechargeable battery pack charging, failure and replacement.

The WLS may also be used with Straightpoint's SW-PTP software package, allowing the operator to perform load tests at a safe distance and generate real-time test certificates on site.

A full array of wireless accessories are also available including wireless score board, overload alarm and base station with analogue (4-20mA) or 2 relay or RS485 ASCII outputs.

Also available with hazardous area approval. Zones 0, 1 & 2



ATEX / IECEX

Ex ia II C T4 Ga

Certification numbers:

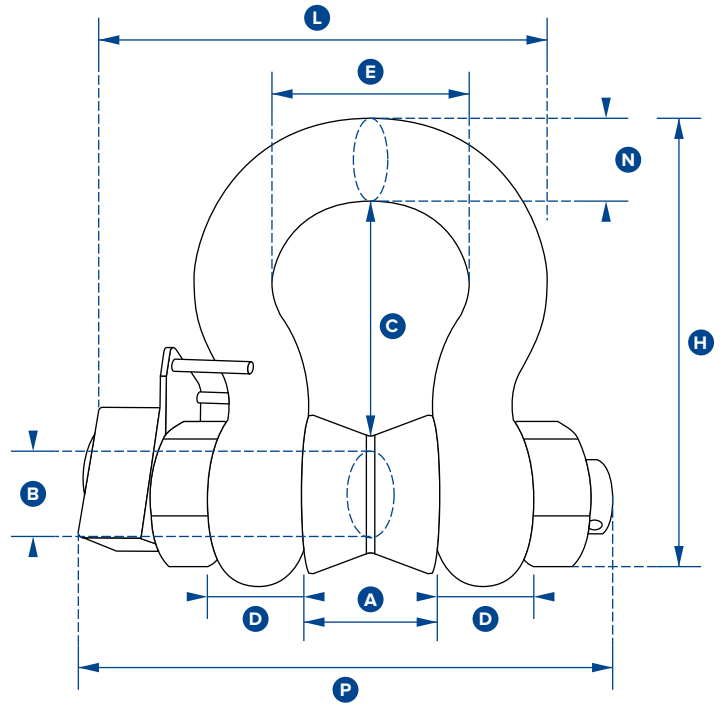
WLS ATEX

IECEX SIR 16.0041X / Sira 16ATEX2108X

SW-HHP ATEX

IECEX SIR 15.0072X / Sira 15ATEX2196X

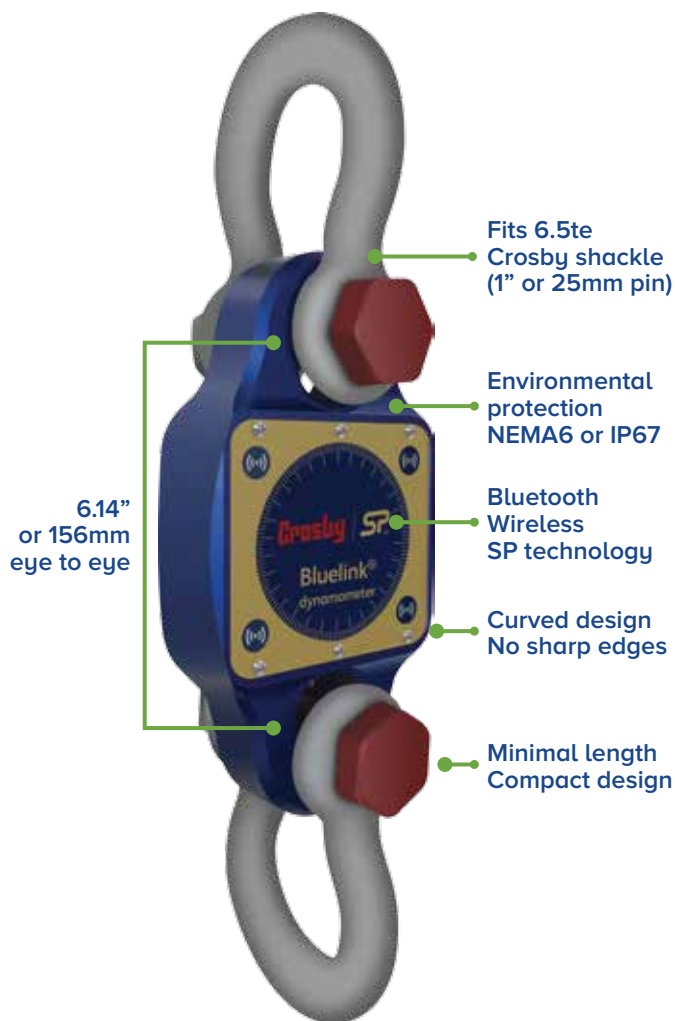
Add 'ATEX' to the part number when ordering ATEX/IECEX products. For example: WLS3.25T-ATEX



| Part Numbers | | | | | | | | | | |
|----------------|--|---------|---------|---------|-----------|-----------|-----------|-----------|-----------|-----------|
| SP | WLS3.25T | WLS6.5T | WLS12T | WLS25T | WLS55T | WLS85T | WLS120T | WLS200T | WLS300T | WLS400T |
| Crosby | 2789186 | 2789208 | 2789183 | 2789185 | 2789199 | 2789201 | 2789172 | 2789184 | 2789188 | 2789189 |
| Capacity | 3.25te | 6.5te | 12te | 25te | 55te | 85te | 120te | 200te | 300te | 400te |
| | 7150lb | 14300lb | 26400lb | 55000lb | 120000lbs | 185000lbs | 260000lbs | 440000lbs | 660000lbs | 880000lbs |
| Resolution | 0.005te | 0.005te | 0.01te | 0.02te | 0.05te | 0.05te | 0.1te | 0.2te | 0.5te | 0.5te |
| | 10lb | 10lb | 20lb | 50lb | 100lb | 100lb | 200lb | 200lb | 1000lb | 1000lb |
| Units | tonne | | | | | | | | | |
| | lb | | | | | | | | | |
| Weight | 2.8kg | 3.2kg | 8kg | 18kg | 25kg | 45kg | 85kg | 230kg | 398kg | 556kg |
| | 6.16lb | 7lb | 17.6lb | 40lb | 55lb | 99lb | 187lb | 507lb | 877lb | 1226lb |
| Safety Factor | 5:1 when used with load bobbin | | | | | | | | | |
| Battery Type | Load cell 4 x AA Alkaline | | | | | | | | | |
| Battery Life | Load cell 1200 hours continuous (500 hours if Bluetooth) | | | | | | | | | |
| Operating Temp | -20°C to +70°C or 4°F to 158°F | | | | | | | | | |
| Accuracy | ±1% full scale | | | | | | | | | |
| Frequency | 2.4 GHz | | | | | | | | | |
| System Range | 1000 metres or 3280 feet (100 metres or 328 feet if Bluetooth) | | | | | | | | | |
| Data Rate | 3 updates per second | | | | | | | | | |
| Protection | IP67 or NEMA6 | | | | | | | | | |
| Dimension A | 26.9 | 36.6 | 51.5 | 73 | 82.5 | 105 | 127 | 184 | 213 | 210 |
| | 1.06" | 1.44" | 2.03" | 2.87" | 3.25" | 4.13" | 5.00" | 7.24" | 8.39" | 8.27" |
| Dimension ØB | 19.1 | 25.4 | 35.1 | 51 | 57 | 70 | 82.5 | 121 | 152 | 178 |
| | 0.75" | 1.00" | 1.38" | 2.01" | 2.24" | 2.76" | 3.25" | 4.76" | 5.98" | 7.01" |
| Dimension C | 56.9 | 79.7 | 113 | 170 | 189.5 | 253 | 319.5 | 366 | 451 | 542 |
| | 2.24" | 3.14" | 4.45" | 6.69" | 7.46" | 9.96" | 12.58" | 14.41" | 17.76" | 21.34" |
| Dimension D | 16 | 22.4 | 31.8 | 44.5 | 51 | 66.5 | 76 | 116 | 124 | 165 |
| | 0.63" | 0.88" | 1.25" | 1.75" | 2.01" | 2.62" | 2.99" | 4.57" | 4.88" | 6.50" |
| Dimension E | 42.9 | 58 | 82.5 | 127 | 164 | 184 | 200 | 279 | 330 | 330 |
| | 1.69" | 2.28" | 3.25" | 5.00" | 6.46" | 7.24" | 7.87" | 10.98" | 12.99" | 12.99" |
| Dimension H | 106 | 148 | 210 | 313 | 348 | 453 | 546 | 706 | 871 | 1022 |
| | 4.17" | 5.83" | 8.27" | 12.32" | 13.70" | 17.83" | 21.50" | 27.80" | 34.29" | 40.24" |
| Dimension L | 127.1 | 156.5 | 196 | 281 | 306 | 368 | 408 | 580 | 652 | 680 |
| | 5.00" | 6.16" | 7.72" | 11.06" | 12.05" | 14.49" | 16.06" | 22.83" | 25.67" | 26.77" |
| Dimension N | 17.5 | 24.6 | 35.1 | 57 | 61 | 79 | 92 | 127 | 154 | 184 |
| | 0.69" | 0.97" | 1.38" | 2.24" | 2.40" | 3.11" | 3.62" | 5.00" | 6.06" | 7.24" |
| Dimension P | 143 | 173 | 218 | 293 | 317 | 394 | 441 | 667 | 722 | 784 |
| | 5.63" | 6.81" | 8.58" | 11.54" | 12.48" | 15.51" | 17.36" | 26.26" | 28.43" | 30.87" |



BlueLink



Wireless Range 100m or 328ft

Multiple weight unit measurement options (kg,te,lb,kN)

Audible alarm alert for high/low values

Peak Hold button Zero and Gross monitoring options

100 Hz Peak Hold

Reset Tare

HHP App connects via Bluetooth on any iOS or Android device

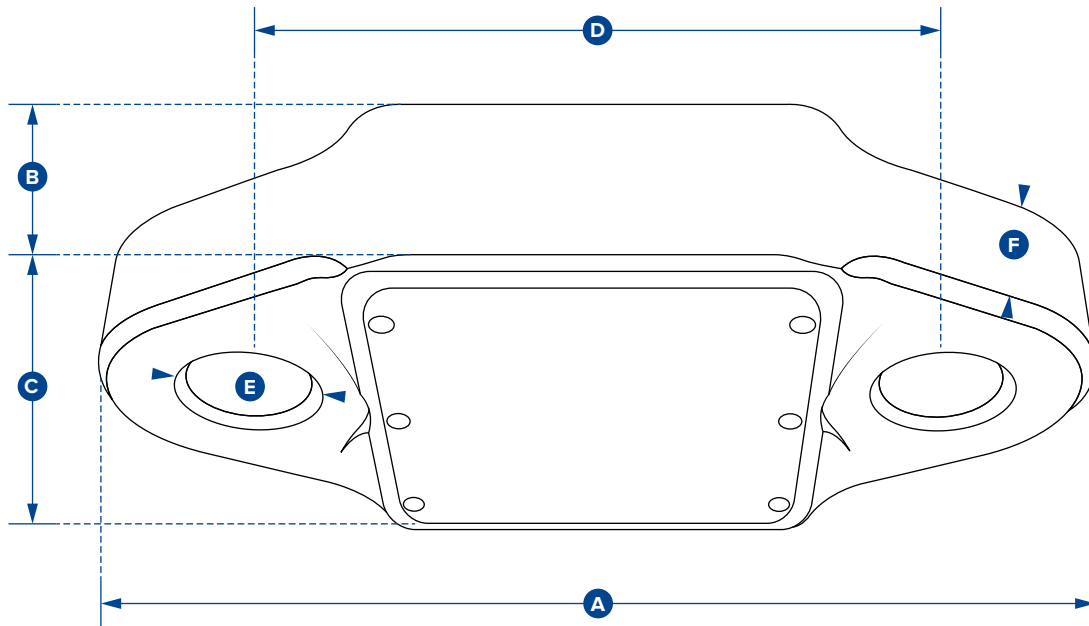
Designed to replace outdated mechanical products still in the field, this 14,300lb (6500kg) Dynamometer, the 'BlueLink', is the latest SP product to feature their proprietary Bluetooth wireless technology.

The Bluetooth signal effortlessly connects to any iOS or Android smartphone that has our free HHP app installed, providing the operator with a wireless range of up to 328ft or 100m. This allows them to stand in a safe position from the load, with no requirement to read a load on the load cell itself. The app will also allow the operator to log data versus time, or on events such as over or underload. An adjustable alarm will alert the operator on their smartphone if any overload is occurring.

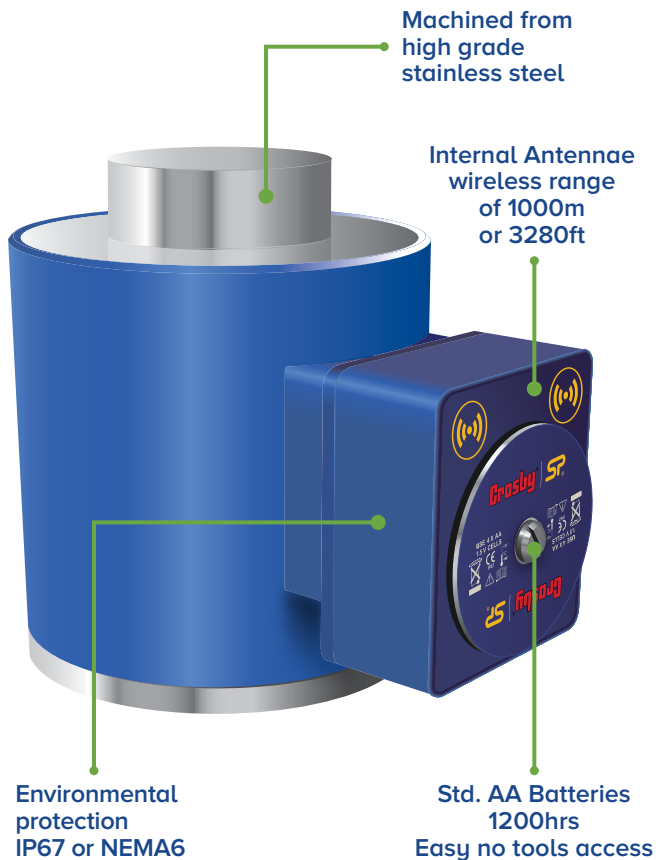
Rigged using industry standard shackles such as Crosby G2130, the BlueLink has been designed to minimise headroom (6.14" or 156mm from eye to eye). With a safety factor of over 500%, its compact lightweight design does not sacrifice on strength.

Constructed from high-quality aerospace grade aluminium, which is then hard-anodised, it features an advanced internal design structure. This design provides the product with an unrivalled strength to weight ratio. The use of a separate internal sealed enclosure administers the load cell's electronic components with IP67 or NEMA6 environmental protection, even with the battery cover plate missing. All these features makes it an industry-leading compact dynamometer, even more suitable for use in the harshest industrial or leisure environments.

The BlueLink is powered by four standard AA alkaline batteries that provide in excess of 500 hours transmission time. Its internal antennae ensures safe transmissions of loads to an accuracy of $\pm 0.2\%$ FS.



| Part Numbers | |
|-----------------------|---------------------------------|
| SP | BLD6T5 |
| Crosby | |
| Capacity | 6.5te |
| | 14,300 lbs |
| Resolution | 0.00te |
| | 2lbs |
| Weight | 1.5kg |
| | 3.3lbs |
| Safety Factor | 5:1 |
| Battery Type | 4 x AA alkaline batteries |
| Battery Life | 500hrs |
| Operating Temperature | -10°C to +50°C or 14°F to 122°F |
| Accuracy | ±0.2% of full scale |
| Range | 100 metres or 328 feet |
| Data Rate | 3Hz |
| Protection | IP67 or NEMA6 |
| Dimension A | 224 |
| | 8.82" |
| Dimension B | 44 |
| | 1.73" |
| Dimension C | 113.6 |
| | 4.47" |
| Dimension D | 156 |
| | 6.14" |
| Dimension ØE | 27.5 |
| | 1.08" |
| Dimension F | 26 |
| | 1.02" |



Features and benefits:

- Proprietary 2.4 GHz wireless
 - Accuracy of $\pm 0.1\%$ FS
 - Environmentally sealed to IP67 or NEMA6
 - Stocked capacities up to 1000t
 - Industry leading wireless range up to 1000m or 3280ft
 - Internal antennae
 - ATEX & IECEx version for hazardous area zones 0, 1 & 2 available
 - Battery life of 1200hrs
 - Compact size
 - Remote On-Off from handheld display or software
 - Design validated by F.E.A.
-
- Bluetooth option is available and is supplied with a free HHP App for iOS and Android See page 21

The Straightpoint LoadSafe Compression Loadcell.

No longer hindered by troublesome and hard to maintain cables, large-scale projects can now be completed in a fraction of the time previously required.

Multiple compression load cells can all connect wirelessly to INSIGHT via a USB dongle, their iOS or Android app (if Bluetooth), or their SW-HHP wireless handheld display.

Maintenance and repair costs are all but eliminated due to the absence of cables and connectors.

The flexibility of the product opens the door to a large number of applications in the heavy lift, energy, defence, rigging, shipping, and general transportation sectors.

Two versions of the WNI are available:

- Long range 2.4GHz version providing industry leading wireless range to Crosby | Straightpoint's SW-HHP handheld or INSIGHT.
- Bluetooth output and can be connected to any smart phone running our free HHP app on iOS or Android, at ranges up to 100m or 328ft.

Connected to Crosby | Straightpoint's INSIGHT, the WNI load cell can be used to weigh and verify centre of gravity of large and heavy objects, which may not be evenly proportioned. The system will report weight on each individual load cell, total weight and C-of-G in an html report based on ISO19901.

Crosby | Straightpoint's LoadSafe is machined from high grade 17-4PH stainless steel, providing excellent strength and corrosion resistance, which makes them suitable for the most arduous industrial conditions.

Also available with hazardous area approval. Zones 0, 1 & 2



ATEX / IECEX

Ex ia II C T4 Ga

Certification numbers:

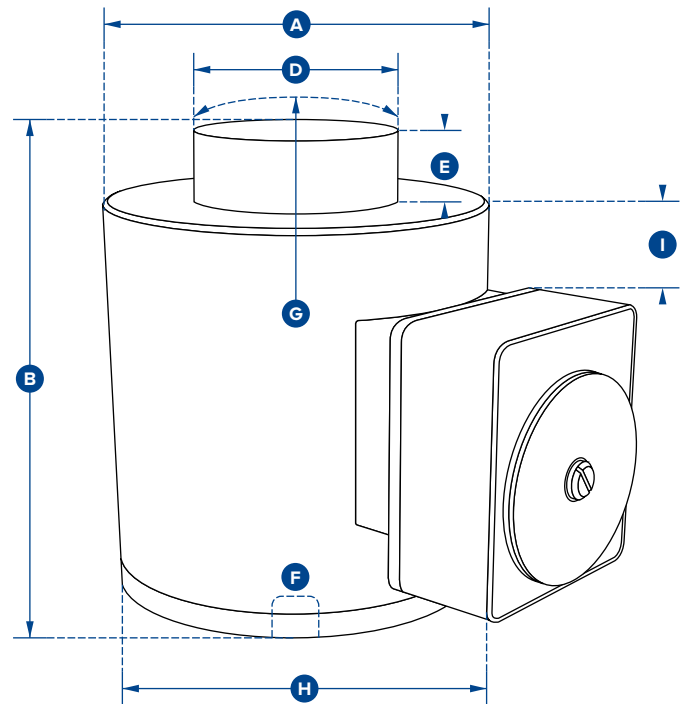
WNI ATEX

IECEX SIR 16.0041X / Sira 16ATEX2108X

SW-HHP ATEX

IECEX SIR 15.0072X / Sira 15ATEX2196X

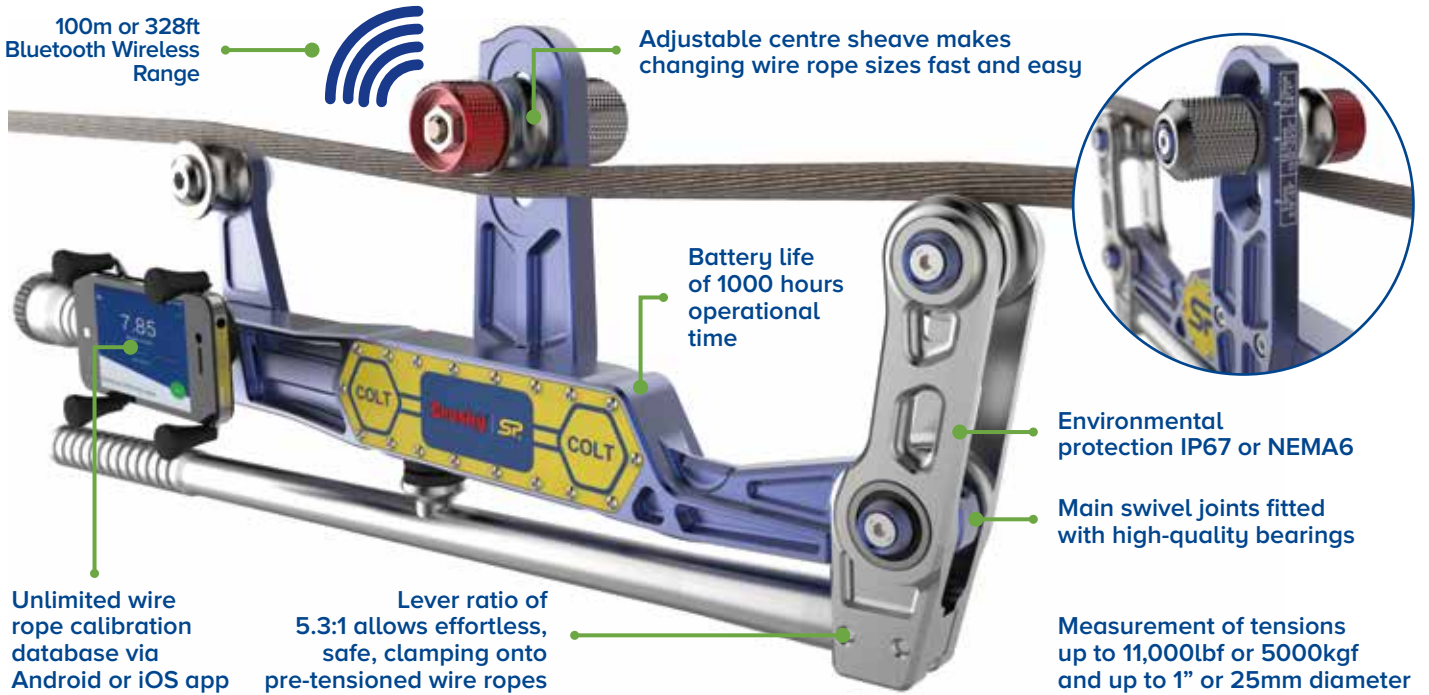
**Add 'ATEX' to the part number
when ordering ATEX/IECEX products.
For example: WNI5TC-ATEX**



| Part Numbers | | | | | | | | | |
|----------------------------|--|------------------------|------------------------|------------------------|------------------------|------------------------|------------------------|------------------------|------------------------|
| SP | WNI5TC | WNI10TC | WNI25TC | WNI50TC | WNI100TC | WNI150TC | WNI300TC | WNI500TC | WNI1000TC |
| Crosby | 2789197 | 2789191 | 2789193 | 2789196 | 2789190 | 2789192 | 2789194 | 2789195 | 2789138 |
| Capacity | 5te 11000lb | 10te 22000lb | 25te 55000lb | 50te 110000lb | 100te 220000lb | 150te 330000 | 300te 660000lb | 500te 1100000lb | 1000te 2200000lb |
| Resolution | 0.001te 2lb | 0.002te 5lb | 0.005te 10lb | 0.01te 20lb | 0.05te 100lb | 0.05te 100lb | 0.1te 200lb | 0.2te 500lb | 0.5te 1000lb |
| Units | tonne lb | | | | | | | | |
| Weight | 6.2kg 13.64lb | 6.2kg 13.64lb | 6.2kg 13.64lb | 6.2kg 13.64lb | 15.5kg 34lb | 15.5kg 34lb | 65kg 143lb | 65kg 143lb | 172kg 379lb |
| Safety Factor | 3:1 | | | | | | | | |
| Battery Type | Load cell 4 x AA Alkaline | | | | | | | | |
| Battery Life | Load cell 1200 hours continuous (500hrs if Bluetooth) | | | | | | | | |
| Operating Temp | -20°C to +70°C or 4°F to 158°F | | | | | | | | |
| Accuracy | ±0.1% of full scale | | | | | | | | |
| Frequency | 2.4GHz | | | | | | | | |
| System Range | 1000 metres or 3280 feet (100 metres or 328 feet if Bluetooth) | | | | | | | | |
| Data Rate | 3Hz (configurable to 200Hz) | | | | | | | | |
| Protection | IP67 or NEMA6 | | | | | | | | |
| Dimension ØA | 100 3.94" | 100 3.94" | 100 3.94" | 100 3.94" | 152 5.98" | 152 5.98" | 185 7.28" | 185 7.28" | 362 14.25" |
| Dimension B | 127 5.00" | 127 5.00" | 127 5.00" | 127 5.00" | 184 7.24" | 184 7.24" | 300 11.81" | 300 11.81" | 310 12.20" |
| Dimension ØD | 59 2.32" | 59 2.32" | 59 2.32" | 59 2.32" | 80 3.15" | 80 3.15" | 155 6.10" | 155 6.10" | 270 10.63" |
| Dimension E | 16 0.63" | 16 0.63" | 16 0.63" | 16 0.51" | 26 1.02" | 26 1.02" | 27.5 1.08" | 27.5 1.08" | 40 1.57" |
| Dimension F | M18 x 2.5 M18 x 2.5 | M18 x 2.5 M18 x 2.5 | M18 x 2.5 M18 x 2.5 | M20 x 2.5 M20 x 2.5 | M20 x 2.5 M20 x 2.5 | M20 x 2.5 M20 x 2.5 | M20 x 2.5 M20 x 2.5 | M20 x 2.5 M20 x 2.5 | M30 x 3.5 M30 x 3.5 |
| Dimension G | 152 5.98" | 152 5.98" | 152 5.98" | 152 5.98" | 432 17.01" | 432 17.01" | 432 17.01" | 432 17.01" | 950 37.40" |
| Dimension H | 158 6.22" | 158 6.22" | 158 6.22" | 158 6.22" | 208 8.19" | 208 8.19" | 241 9.49" | 241 9.49" | 422 16.61" |
| Dimension I | 22 0.87" | 22 0.87" | 22 0.87" | 22 0.87" | 33 1.30" | 33 1.30" | 49 1.93" | 49 1.93" | 102 4.02" |
| Load cell top to SA700 top | 0.87" | 0.87" | 0.87" | 0.87" | 1.30" | 1.30" | 1.93" | 1.93" | 4.02" |



Clamp On Line Tensionmeter



The Straightpoint COLT is a lightweight wire rope tension meter, for fast and accurate measurement of tensions up to 11,000lb or 5000 kg and up to 1” or 25mm diameter.

Manufactured using an integral, high accuracy, Bluetooth module, the COLT transmits load data wirelessly to any smart device running our free Android or iOS app.

Constructed from aerospace grade aluminium, the COLT digital tensionmeter is lightweight and easy to handle. Its main operational application is to be attached to wires/cables that are already under tension. Once in place, it allows the operator to quickly check tension on cables or wire ropes set at any angle.

A built-in magnetic smart device holder allows the COLT to be used as a traditional tension meter with on board display, or the smartphone can be handheld or mounted elsewhere.

Supplied in a purpose made carry case, the COLT is portable and utilises standard alkaline batteries, making it perfect to carry out on-site cable tension testing anywhere in the world.

An optional calibration verification tool (CVT) allows the operator to self-check and verify calibration accuracy, in the field, if required.

Features and benefits:

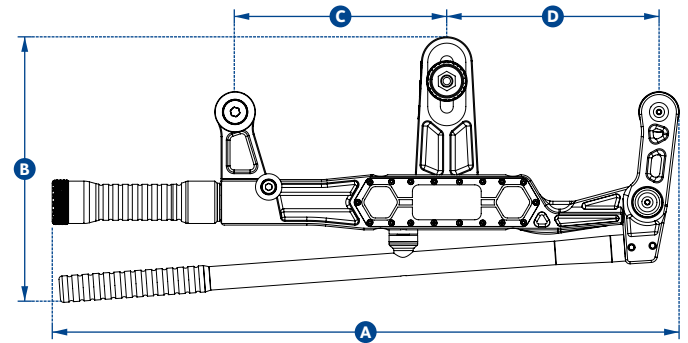
- Unlimited wire rope calibration database via Android or iOS app
- Main swivel joints fitted with high-quality bearings
- Lever ratio of 5.3:1 allows effortless, safe, clamping onto pre-tensioned wire ropes
- Wireless Bluetooth 4.2 enabling operator to stand a safe distance away, up to 100 metres or 328 feet
- Quick intuitive adjustable centre sheave makes changing wire rope sizes fast and easy
- No easily broken external antennae
- High waterproof resistant design IP67 or NEMA6 for all weather use
- Massive battery life of 1000 hrs operational time
- As the library of wire rope diameters and constructions is increased each app user will benefit when they update free of charge

Tower Mode:

- Records GPS coordinates
- Logs the local temperature and windspeed from local NOAA
- Ability to also allow elevation of wire rope to be inputted into log

Applications:

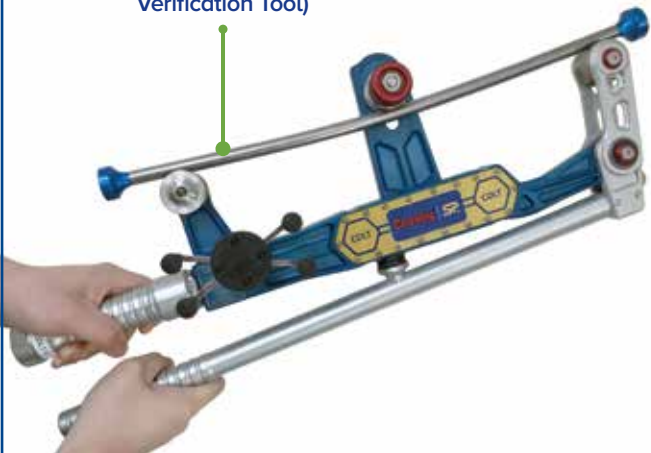
- Guy wire maintenance on cell towers, bridges, flare stacks, antennas and masts
- Guy wire Tower Plumb and Tension
- EHS guy wire, Turnbuckle tensioner
- Wire rope installations, comparing, equalising and measuring
- Architectural wire rope installations
- Median cable barrier tensioning
- Utility cable overhead line monitoring
- Elevator hoist, governor and compensating wire rope maintenance
- Zip lines and assault course testing
- Fall arrest systems
- Metro, tram and rail transit electric wires, and catenary testing
- Ski lifts
- Wire rope tie downs on vessels (using Tirfor)
- Testing tension of ship mast wire ropes.
- Tensioned trellis systems
- Measuring Line Sag



| Part Numbers | |
|--------------------|--|
| SP | COLT5T |
| Crosby | 2789000 |
| Max Load | 5000kg 11000lbs |
| Resolution | 10kg 20lb |
| Units | kg, lbs, tonne and kN |
| Min Wire Rope Ø | Ø5mm Ø3/16" |
| Max Wire Rope Ø | Ø25mm Ø1" |
| Max Line Reduction | 5mm with a Ø10mm wire rope 7/32" with a Ø3/8" wire rope |
| Wire Rope Database | Infinite via Android 4.4 or iOS 8.0 app |
| Weight | 3.5kg 7.7lbs |
| Battery Type | 2 x 'C' cell batteries |
| Battery Life | 1000 hours Bluetooth transmission time |
| Operating Temp. | -25°C to +70°C -13°F to +158°F |
| Protection | IP67 NEMA6 |
| Accuracy | ±3% of full scale if wire rope Ø and construction known |
| Communication | Bluetooth 4.2 |
| Dimension A | 589mm 23.2" |
| Dimension B | 254mm 10" |
| Dimension C | 200mm 7.9" |
| Dimension D | 200mm 7.9" |

Specifications assume COLT used on a wire rope with a fixed and flexible end

CVT
(Calibration
Verification Tool)



Optional for purchase: CVT (Calibration Verification Tool)

In order to ensure that the measurements of the COLT are as accurate as possible, SP supply a calibration verification rod, specifically designed for this purpose.

CableSafe



In addition to the TIMH range, the CableSafe is the continued evolution of Straightpoint's running line tensiometers. When used in the field, it will allow the user to monitor tension with exceedingly high levels of accuracy, which ensures rope/cables do not become overstretched or break.

When using a capstan winch to unwind electrical cable from a reel/spool, you will be able to integrate the CableSafe within this set-up to ensure that it is being pulled at a safe tension level. This helps the line maintain its transmissions capability, prevent it becoming a fire hazard risk, and it also stops the need of furthering work in order to remove and replace it. The contractor is gifted with decreased liability, dramatically increasing peace of mind. Using CableSafe on cable pulls reduces liabilities on cable installations, making it ideal for the following applications:

- Measure tension when pulling electrical cables – protect against fractures or elongation
- Measuring tension on synthetic rope when erecting delicate structures using gin poles and capstan winch

Another example of best use is during the installation of cell phone towers or similar delicate structures. The product helps ensure structure-to-ground ropes which are connected to a gin pole and pully system. Do not exceed maximum tension whilst lifting sections of the tower to the top because there can be the possibility of the rope becoming snagged, causing greater tension to be loaded upon the system. With heavy materials being lifted to great heights; this would create a major safety hazard leading to a catastrophic failure, endangering lives. Avoid the unknown through accurate monitoring, especially when risks are high.

What distinguishes it, apart from previous versions of this type, is the developed lightweight design, allowing easy transportation and usage. Providing up to 500 hours battery life, you can be assured there will not be any loss of power before your work day has ended. High level IP67 or NEMA6 ingress protection allows it to be used in a variety of heavy weather conditions and dusty environments. These features, as a collective, means that it will be an invaluable and reliable tool in your work-related armoury.

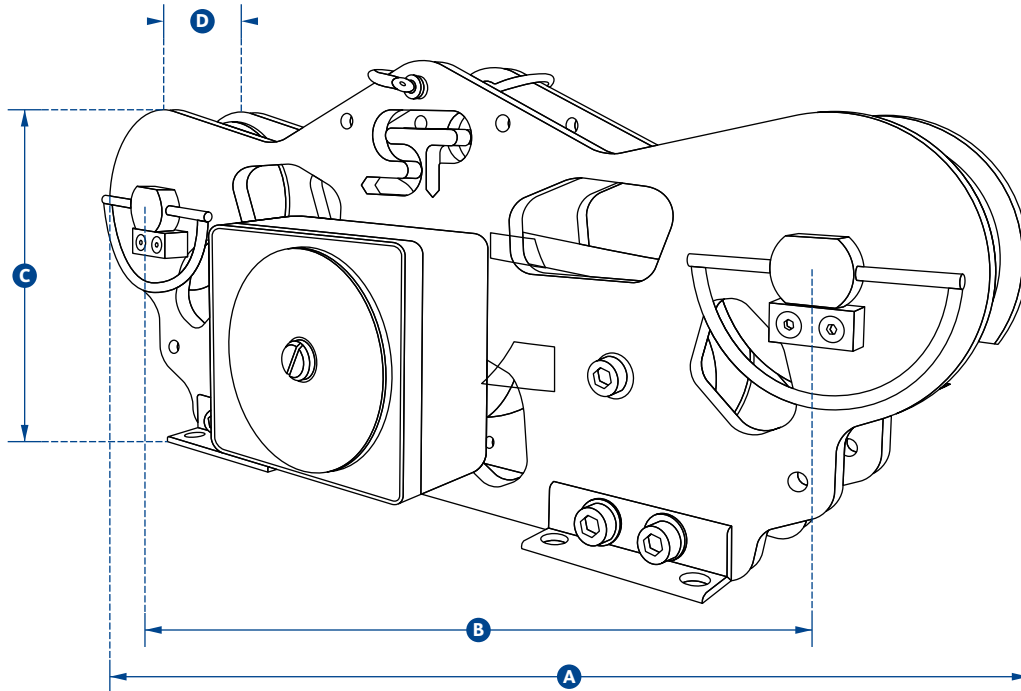
The five-wheel design and gravity catches, with top sheave pins, allows for fast and simple rope attachment set-up. The accuracy is further improved over three-wheel alternatives.

When used with a cable/rope pulling device, you can remotely monitor the tension on the line using your smart handheld device via a Bluetooth connection*. With the operator locating themselves up to 100m or 328ft away from the Cable Safe, it will allow them to survey job progress at a safe distance.

**The 'HHP' app is available to download for free (Android/iOS) and is compatible with all SP Bluetooth Products.*

Applications:

- Fibre-optic cable pulling using turret winches
- Water gates for dams
- Offshore rescue and retrieval
- Capstan rope/cable winding
- Broadcast and telecommunications
- Erecting towers (maintaining structural capacity)
- Service and maintenance of cell towers

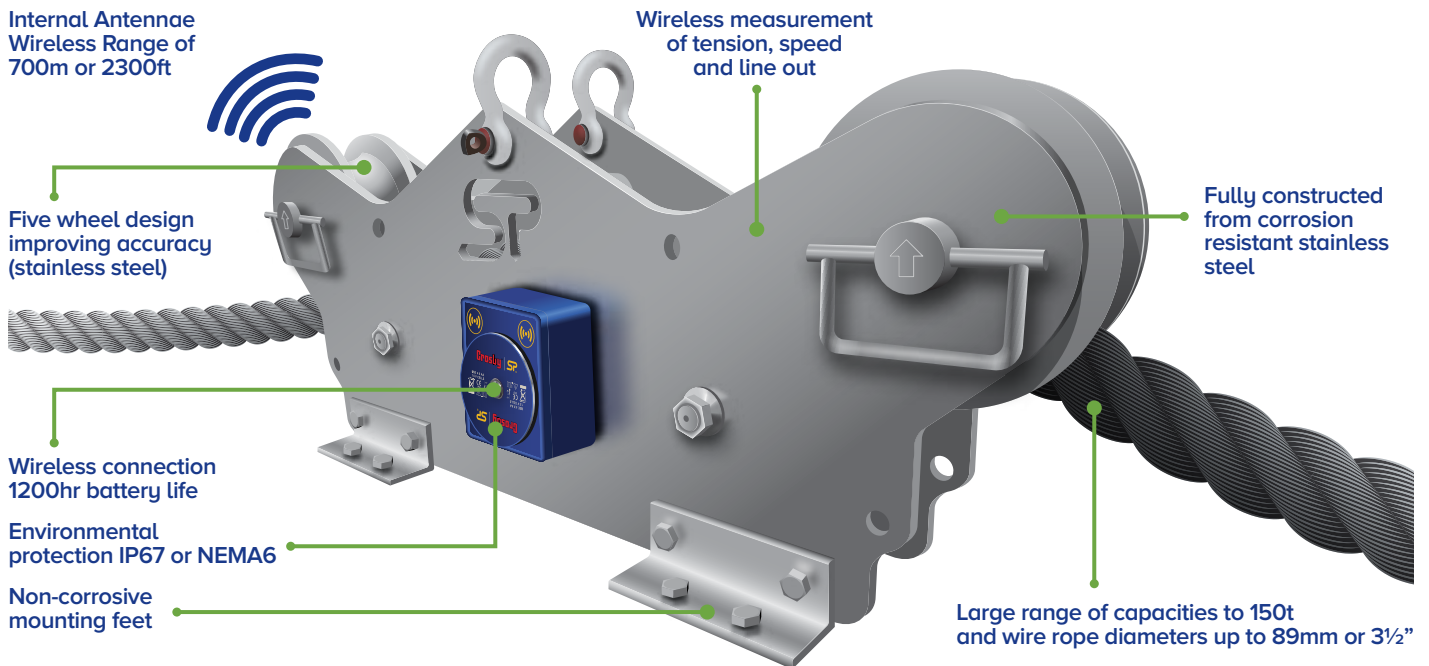


| Part Numbers | |
|----------------|-------------------|
| SP | CS10T |
| Crosby | 2789219 |
| Capacity | 10te |
| | 22,000lb |
| Resolution | 0.01te |
| | 20lb |
| Rope Ø | 4-19mm |
| | 5/32" - 3/4" |
| Weight | 4.5kg |
| | 10lb |
| Battery Type | 4 x AA Alkaline |
| Battery Life | 500hrs |
| Operating Temp | -10°C to +50°C |
| | 14°F to 122°F |
| Accuracy | ±2% of full scale |
| Range | Bluetooth 100m |
| | Bluetooth 328ft |
| Protection | IP67 |
| | NEMA6 |
| Maximum Speed | 50m per minute |
| | 164ft per minute |
| Dimension A | 422mm |
| | 16.60" |
| Dimension B | 330mm |
| | 13" |
| Dimension C | 152mm |
| | 6" |
| Dimension D | 36mm |
| | 1.4" |

Features and benefits:

- Simple to use and set up
- Remote monitoring using smart phone via Bluetooth
- Rapid tension force measurement - Up to 50m or 164ft per minute
- Able to be used in all weather and air quality conditions
- Easy to install and replace batteries (4 x AA standard Alkaline)
- Fully constructed from light and durable hard Anodised Aluminium
- Five wheel design improving accuracy (clear anodised)
- Linchpins are fitted to the top sheave pins making wire rope installation quick and simple
- Maintenance free heavy duty needle bearings
- Compatible with a wide range of rope diameters – 4-19mm or 0.16" - 0.75"
- Design validated by F.E.A.
- IP67 ingress protection or NEMA6 – heavy protection against dust and rain

Running Line Dynamometer



The TIMH range is a **Wireless Running Line Tensiometer or RLTM** built with dockside, marine, offshore, towage and salvage applications in mind. It is particularly useful when there is no anchor or dead end on the line to rig an SP Radiolink or Loadlink digital dynamometer. It measures tension force at speeds up to 20m/min or 65ft/min.

Two versions of the TIMH are available:

- Long range 2.4GHz version providing industry leading wireless range of 700m or 2300ft to SP's SW-HHP handheld or software options.
- Bluetooth output and can be connected to any smart phone running SP's free HHP app on iOS or Android at ranges up to 100m or 328ft.

The TIMH is constructed from marine grade stainless steel and is suitable for many wire rope configurations up to 150t and will, as an option, calculate lineout and speed. The TIMH has several mounting points featured in its unique design but if other mounting options are required, Straightpoint can provide a custom engineered solution specific to your application.

Available as a wireless or cabled system, utilising Straightpoint's HHP range of handheld displays or SW-MWLC software, this impressive Running Line Dynamometer or RLTM is available to ship from stock, to anywhere in the world, within days.

Features and benefits:

- Measure tension, line speed and distance
- Five-wheel design improving accuracy
- Cabled or wireless options
- Fully constructed from corrosion-resistant stainless steel
- IP67 or NEMA6 Loadpin
- Industry leading battery life of 1200hrs (wireless)
- Maintenance free heavy duty bushes
- Large range of capacities to 150t and wire rope diameters up to 89mm or 3½"
- Options for lineout and speed available
- Software available to data log and monitor or analogue outputs
- Design validated by F.E.A.

- Bluetooth option is available and is supplied with a free HHP App for iOS and Android
See page 21

Also available with hazardous area approval. Zones 0, 1 & 2



ATEX / IECEx
Ex ia II C T4 Ga

Certification numbers:

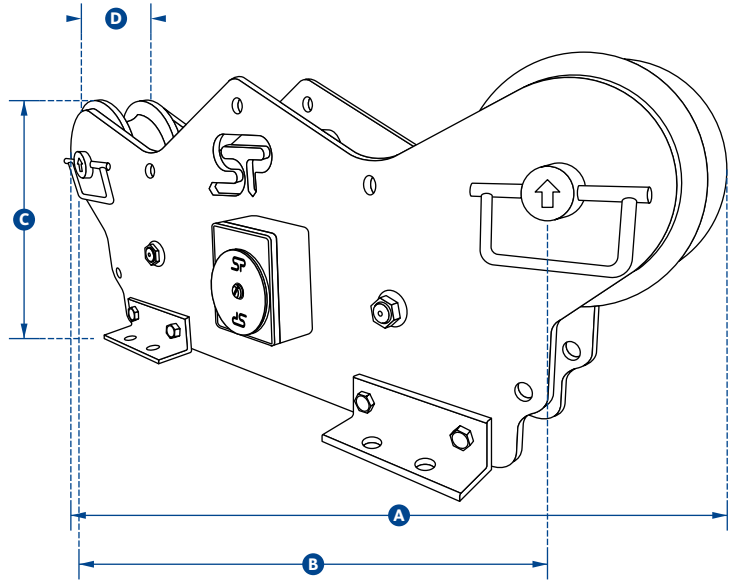
TIMH ATEX

IECEx SIR 16.0041X / Sira 16ATEX2108X

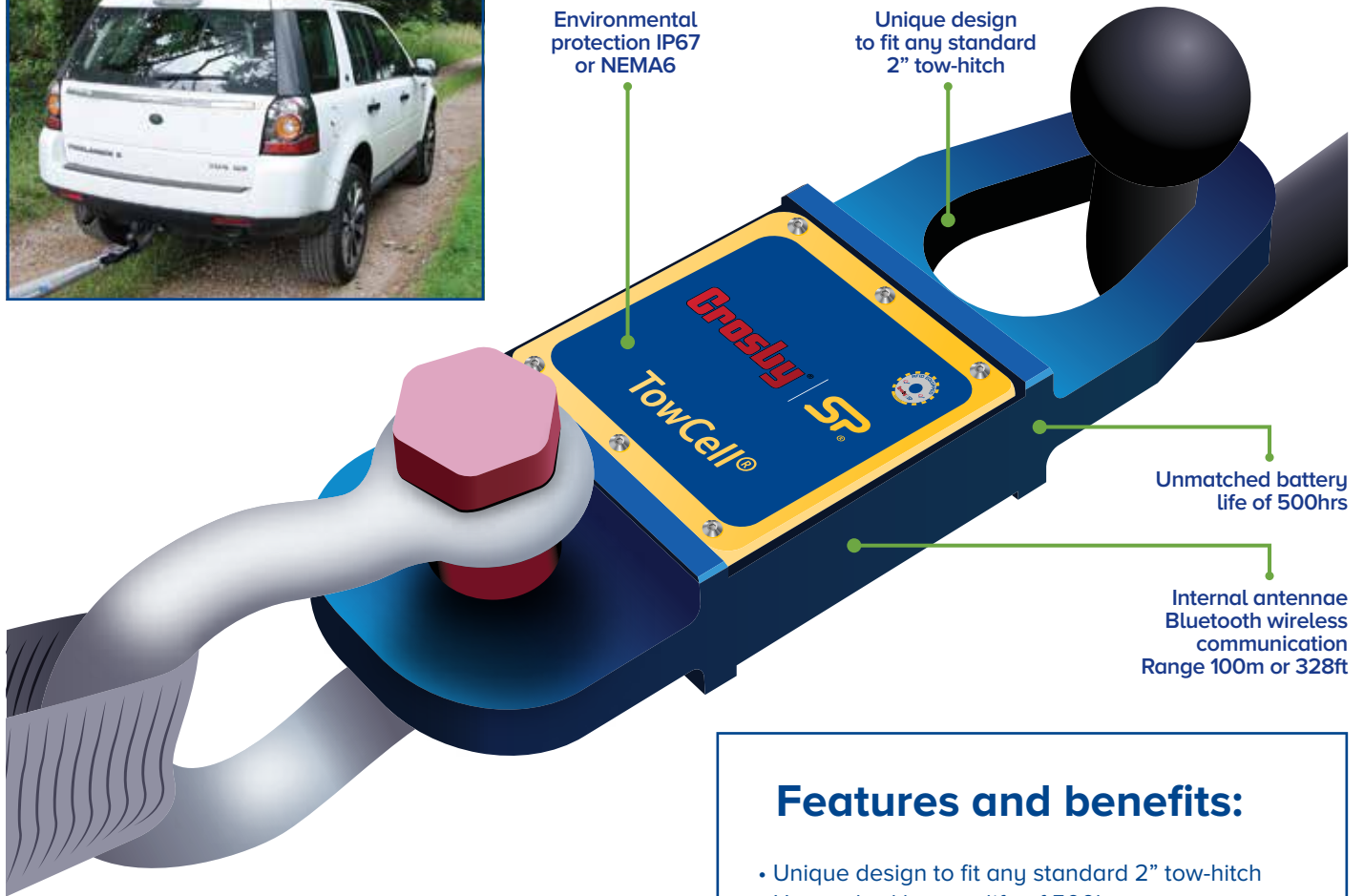
SW-HHP ATEX

IECEx SIR 15.0072X / Sira 15ATEX2196X

Add 'ATEX' to the part number when ordering ATEX/IECEx products. For example: TIMH10T-ATEX



| Part Numbers | MTIMH10TRD | TIMH10TRD | TIMH25TRD | TIMH56TRD | TIMH80TRD | TIMH150TRD | CableSafe |
|--------------------|-------------------------------------|-----------------------------------|----------------------|----------------------------|------------------------|------------------------|------------------------------------|
| SP | 2789054 | 2789136 | 2789139 | 2789144 | 2789146 | 2789270 | 2789219 |
| Capacity | 10te 22000lb | 10te 22000lb | 25te 55000lb | 56te 123200lb | 80te 176000lb | 150te 330000lb | 10te 22000lb |
| Resolution | 0.0fte 20lb | 0.0fte 20lb | 0.02te 50lb | 0.05te 100lb | 0.1te 200lb | 0.2te 500lb | 0.0fte 20lb |
| Wire Rope Ø | 4-19mm 5/32" - 3/4" | 13-19mm 1/2" - 3/4" | 16-26mm 5/8" - 1" | 28-38mm 1 1/8" - 1 1/2" | 40-52mm 1 5/8" - 2" | 52-89mm 2" - 3 1/2" | 4-19mm 5/32" - 3/4" |
| Weight | 9kg 20lb | 90kg 198lb | 86kg 190lb | 81kg 179lb | 76kg 168lb | 230kg 506lb | 4.5kg 10lb |
| Battery Type | 4 x AA Alkaline | | | | | | |
| Battery Life | Wireless version 1200hrs continuous | | | | | | 500hrs |
| Operating Temp | -10°C to +50°C 14°F to 122°F | | | | | | |
| Accuracy | ±2% of full scale | | | | | | |
| Frequency | 2.4 GHz | | | | | | |
| System Range | 1000 metres 3280 feet | | | | | | Bluetooth 100m Bluetooth 328ft |
| Data Rate | 3 updates per second | | | | | | |
| Protection | IP67 NEMA6 | | | | | | |
| Maximum Speed | 50m per minute 164ft per minute | 20m per minute 65ft per minute | | | | | 50m per minute 164ft per minute |
| Line out and speed | via SW-MWLC software | | | | | | N/A |
| Dimension A | 422mm 16.62" | 880mm 34.65" | | | | 1250mm 49.21" | 422mm 16.62" |
| Dimension B | 330mm 13" | 700mm 27.55" | | | | 1050mm 41.33" | 330mm 13" |
| Dimension C | 152mm 5.98" | 330mm 12.99" | | | | 416mm 16.37" | 152mm 5.98" |
| Dimension D | 36mm 1.4" | 110mm 4.33" | | | | 153mm 6.02" | 36mm 1.4" |



Straightpoint has developed a 25kN, wireless load cell specifically engineered for the emergency services, salvage and 4 x 4 industries. The Towcell® allows for increased safety and the avoidance of costly overloads by providing real-time monitoring of tensile towing forces during recovery, clearance and salvage efforts. The Towcell® is rugged, lightweight, compact and can be installed, with ease, onto any tow bar, whether it's a standard 52mm or 2" ball or pin assembly and is ready to use in seconds.

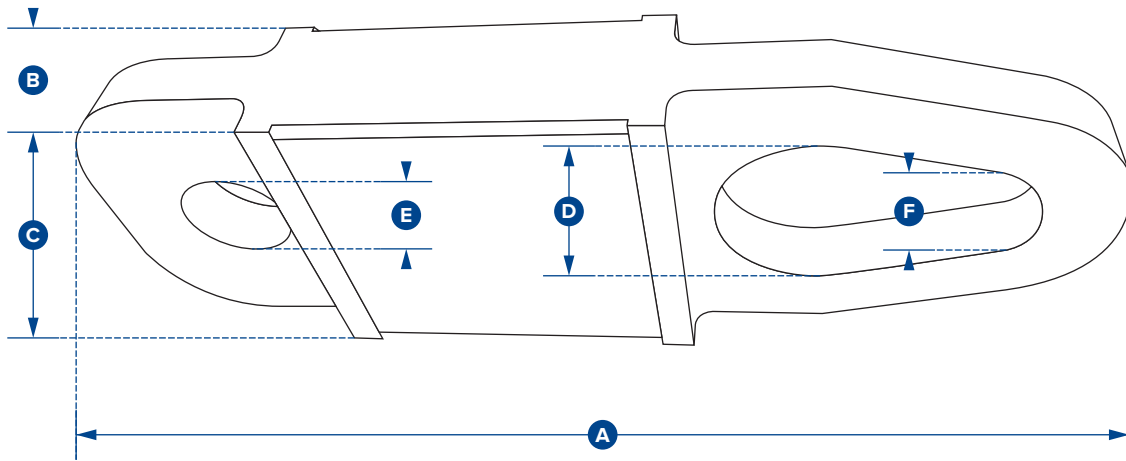
Modelled after Straightpoint's best-selling Radiolink plus, the Towcell® is constructed of high-quality aircraft grade aluminium. It features an advanced internal design structure, providing the product with an unrivalled strength to weight ratio. This optimal balance allows for the use of a separate internally sealed enclosure. This administers the internal

Features and benefits:

- Unique design to fit any standard 2" tow-hitch
- Unmatched battery life of 500hrs
- Waterproof IP67 or NEMA6
- Internal antennae
- Compact size and lightweight
- Proprietary 2.4 GHz wireless communication
- Design validated by F.E.A.
- Bluetooth enabled and is supplied with a free HHP App for iOS and Android
See page 21

electronic components with an IP67 or NEMA6 waterproof environmental protection, even with the battery cover plate missing.

Easily sourced AA alkaline batteries offer massive battery life of 500 hours, and the Towcell® utilises an unbreakable internal antennae.



| Part Numbers | |
|----------------|---------------------------------|
| SP | Towcell - Bluetooth version |
| Crosby | 2789271 |
| Capacity | 25kN |
| Resolution | 0.01kN |
| Weight | 1.4kg 3lb |
| Safety Factor | 5:1 |
| Battery Type | 4 x AA Alkaline |
| Battery Life | 500 hours continuous |
| Operating Temp | -10°C to +50°C 14°F to 122°F |
| Accuracy | ±0.1% of full scale |
| Frequency | 2.4 GHz |
| System Range | 100 metres 328 feet |
| Data Rate | 50Hz |
| Protection | IP67 NEMA6 |
| Dimension A | 300mm 11.81" |
| Dimension B | 43mm 1.70" |
| Dimension C | 104mm 4.09" |
| Dimension ØD | 51mm 2.00" |
| Dimension ØE | 27mm 1.06" |
| Dimension ØF | 31mm 1.22" |

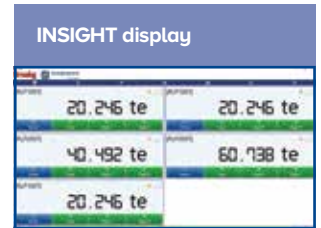
INSIGHT Software



INSIGHT software, supplied with an SW-D USB wireless dongle, allows connection of up to 126 Straightpoint wireless load cells simultaneously onto any Windows tablet or laptop.

Insight has three main features:

- Multi-channel display and data logging mode – view and log load data from connected load cells plus totals loads live on screen and directly into a .csv file for later analysis at speeds of up to 200Hz.
- Visualisation mode – For complicated lifts import a photo of the lift and drag and drop load cell displays – make the screen look like the lift.
- Centre of gravity mode – Connect to SP's range of wireless compression load cells and use this feature to weigh and calculate the centre of gravity of large items and structures.



Features and benefits:

- Logging at timed intervals, manual or on overload/underload
- Visual and audible alarms indicate overload, underload, low battery and communications error
- 100% wireless, no easily damaged cables
- 700m or 2300ft range
- Three weighing's per C of G report with averages and statistical analysis to ISO19901
- Plot load cell positioning using measurements or GPS co-ordinates
- Extra fields for operator, client, wind speed and temperature available for reporting

| Part Numbers | |
|------------------|---------------------------------|
| SP | INSIGHT with SW-D |
| Crosby | 2789318 |
| USB Dongle | -20°C to +70°C |
| Operating Temp | -4°F to 158°F |
| Licence | Licence free |
| Frequency | 2.4 GHz |
| Range | 700 metres |
| | 2300 feet |
| Load Cell Inputs | Up to 126 |
| PC Requirements | Intel i3 processor with 2GB RAM |
| Operating System | Windows 7, 8 or 10 |



Numerous load testing applications worldwide require a load cell to verify the load applied. From crane testing, using water bags to pad eye testing, using hydraulic tools, the need to document test procedure and results has never been greater, especially as users of lifting equipment call for more traceability and audit trails.

A proof test is a form of stress test to demonstrate the fitness of a load-bearing structure, and is nominally a non-destructive test. Such a structure is often subjected to loads above that expected in normal use, demonstrating safety and design margin.

This demand has increased so much, Straightpoint offer a software package designed to connect to any of their wireless load cells - Proof Test plus.

This impressive package allows the test engineer to wirelessly, at a safe distance, monitor a proof load test and automatically create a pass or fail certificate when testing is complete.

The report is formatted as a PDF, which may then be printed, emailed or uploaded to the cloud, resulting in a traceable document for both test engineer and end customer.

Typical load tests using Straightpoint load cells include:

- Bollard pull tests
- Tug tests
- Crane Test (Water bags, block weights)
- Pad eye or fly point testing
- Crash barrier testing
- Lifting equipment testing
 - Slings, chains, wire rope, hooks
- Construction equipment testing
 - Shoring columns, acrow props and lintels
- Lifting and spreader beam testing
- Hydraulic cylinder load test
- Supplied with SW-D transmitter

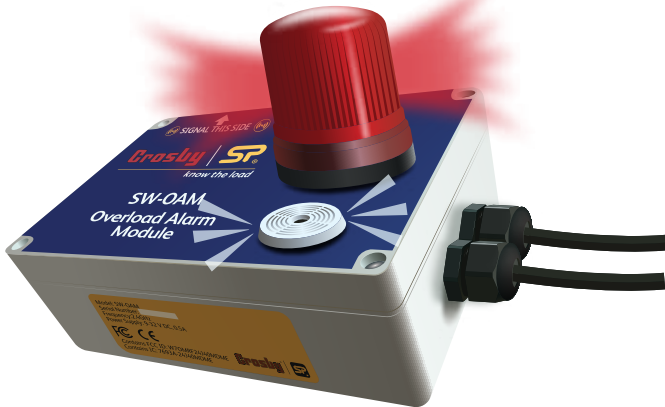
Features and benefits:

- 100% Wireless, no easily damaged cables
- 700m or 2300ft range allows operator to stand at safe distance from test
- Log data at speeds up to 200Hz
- Connects to any Straightpoint wireless load cell
- Automatically creates digitally signed pass or fail certificate
- Real-time load v time graph display
- Free entry fields to note wind speed, sea states etc.

| Part Numbers | |
|------------------|---------------------------------|
| SP | SW-PTP with SW-D |
| Crosby | 2789130 |
| IP rating | IP67 |
| (SW-USBBSE) | NEMA6 |
| Operating Temp | -20°C to +70°C |
| | -4°F to 158°F |
| Licence | Licence free |
| Frequency | 2.4 GHz |
| Range | 700 metres |
| | 2300 feet |
| Load Cell Inputs | 1 |
| PC Requirements | Intel i3 processor with 2GB RAM |
| Operating System | Windows 7, 8 and 10 |

Wireless Accessories

Straightpoint's range of wireless accessories may be used with any Straightpoint wireless load cells



Wireless overload alarm module

Part N°s **SP SW-OAM Crosby** 2789129

This wireless relay module features audio and visual warning indicators. The set point of the unit can be triggered from a single or summed group of up to four Crosby|Straightpoint wireless load cells. It contains two relays (NO and NC). NO is for audio and visual indications, while NC is a spare and can be used to control 230V AC / 30VDC 5A systems.



Wireless scoreboard display

Part N°s **SP SW-SD Crosby** 2789132

This 100mm or 4" scoreboard LED display is wireless and operates between 110-240V AC. The numerals are viewable for up to 45m or 150ft, making it perfect for installation on a crane gantry. The SW-SD displays an individual load in tonnes or summed load of up to four Crosby|Straightpoint wireless devices.



Wireless base station with analogue output

Part N°s **SP SW-BS Crosby** 2789314

The SW-BS provides a configurable analogue output for any single and maximum (up to 4 load cells) Straightpoint wireless load cell and is ideal for integration to a PC, PLC and other data acquisition. Housed in a IP65 enclosure, the output can be selected from Current 4-20mA, 2 Relay Outputs, RS485 ASCII (Configurable).



Load cell transmitter

Part N°s **SP SA700C Crosby** 2789097

The SA700C transmitter connects to strain gauge transducers such as load cells, torque sensors and pressure transducers allowing them to form part of a Straightpoint wireless system.

Load data from the SA700C can be received by multiple receivers that include SW-HHP handheld, INSIGHT software or Straightpoint's range of wireless accessories.



Once installed on a smart device, the HHP App allows you to stand back and remotely monitor the level of force being measured by your SP product in real-time, without the need for troublesome cabling. The Bluetooth feature on the smart device can be used to connect wirelessly to any Bluetooth-enabled wireless SP load cell. This will provide the operator with the ease of surveying a situation from a distance of up to 100m or 328ft, giving them a wider perspective of the immediate area. If working within a high-risk environment, the remote monitoring ability will also provide that extra safety assurance.

If required, SP's Bluetooth-enabled load cells can connect to, and be monitored by, up to eight smart devices with the app installed. This means more than one lifting professional can be utilised during the lift to monitor progress, as well as spot potential dangers/issues, from different vantage points.

The HHP app's simple and easy-to-use interface will allow the operator to use the app with the upmost efficiency. There are up to four different measurement units to choose from, depending on preferences within a particular project. If the lifting professional only needs to view the peak load, there is a 'Peak Hold' button that can be selected to display the highest measurement only. Accompanying this is an option to set an audible alarm when a new high or low measurement value is detected, so the operator knows exactly when this has occurred.

The app also has a load monitoring project record and log feature, where a particular measurement needs to be recorded for later referral. Once logged to the app, it will then allow the operator the convenience of exporting the details of the logged measurement(s) to either a mobile device, or send it to a particular email address, in a spreadsheet format.

Features and benefits:

- Up to 100m or 328ft remote monitoring distance
- Multiple weight unit measurement options (kN, te, kg & lbs)
- Peak Hold button
- Measurement reporting
- Export measurement report
- Zero and Gross monitoring options
- Audible alarm alert for high/low values
- User defined resolution set-up



Handheld plus



Features and benefits:

- Displays up to 4 load cells simultaneously
- Wireless range 1000m or 3280ft
- Low battery warning
- Signal strength warning
- Overload counter
- User settable 90db audible overload alarm
- Multiple display units – tonnes, lbs, kg and kN
- 200Hz Peak hold

The Handheld plus is a rugged and versatile digital handheld display. It has an extensive range of features and is suitable for all Crosby | SP load cell products.

At the heart of the ergonomically designed Handheld plus is a powerful PCB providing industry leading features such as user selectable units of measure (tonnes, lbs, kg and kN), programmable audible overload alarm (HHP & SW-HHP), peak hold, pre-set tare and a user resettable (HHP & SW-HHP) overload counter.

This crucial overload alarm counter is a requirement for many safety and quality control departments, as it keeps track of overload events, allowing the load cell in question to be removed from service immediately, following the calibration voiding overload event. The load cell in question can then be sent out for proper testing and, if necessary, recalibration before re-entering service.

The HHP is suitable for connection via cable to any Straightpoint cabled load cell product and easily adapted to any other manufacturers' load cell product with a mv/v output.

In addition to the standard HHP the SW-HHP is suitable for connection to any Straightpoint wireless load cell, has a range of up to 1000m/3280ft (ATEX 700m/2300ft) and is supplied as standard with the Radiolink plus load cell.

Also available with hazardous area approval



ATEX / IECEX Ex ia II C T4 Ga

Certification number:

SW-HHP ATEX
IECEX SIR 15.0072X
Sira 15ATEX2196X

When ordering ATEX/IECEX version of SW-HHP, order using code: SW-HHP-ATEX

Please note:
There is no audible alarm with ATEX

| Part Numbers | HHP | SW-HHP | SW-HHP ATEX |
|-----------------|--|---------------------------------|---------------------------------|
| SP | | | |
| Crosby | 2789030 | 2789126 | 2789127 |
| Battery Type | 1 x PP3 9v alkaline | 2 x AA | 2 x AA Energizer L91 |
| Battery Life | 100 hours continuous | 40 hours continuous | 60 hours continuous |
| Display Type | 240 x 128 pixel Multi-line dot matrix with backlight | | 6 Digit 25mm/1" LCD |
| Operating Temp | -10°C to +50°C or 14°F to 122°F | -20°C to +70°C or -4°F to 158°F | -10°C to +50°C or 14°F to 122°F |
| Display Rate | 3Hz | | |
| Protection | IP65 or NEMA4X | | |
| Excitation | 5v | N/A | N/A |
| Max Sensitivity | 3mv/v | N/A | N/A |
| Max Resolution | 1:9999999 (normal mode) | | 1:999999 (normal mode) |
| Connectivity | 6-way female binder 723 socket | Wireless 2.4GHz | Wireless 2.4GHz |

Accessories available for the handheld:

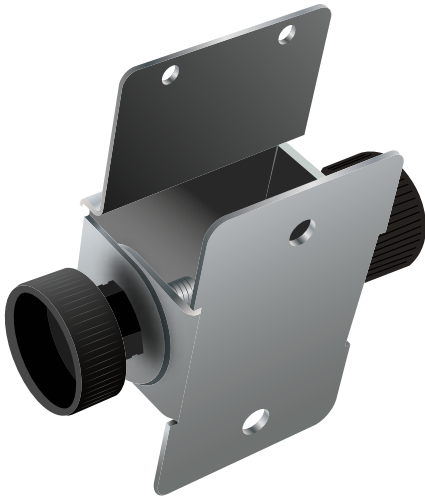
Wall or Cab Mount Bracket

SP Crosby Part Nos.
SU3282 2789228

Rugged Rubber Boot

SP Crosby Part Nos.
SU4045 2789232

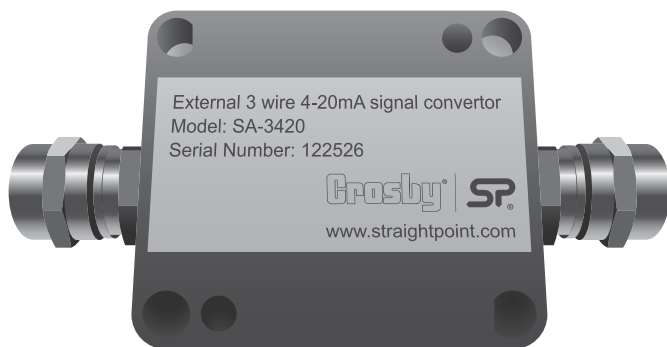




Wall or Cab Mount Bracket

Part N°s **SP** SU3282 **Crosby** 2789228

Constructed from stainless steel and fitted with a viewing angle adjusting mechanism, the SU3282 bracket fits either the HHP or SW-HHP handheld displays. Ideal for wall or cab mounting, leaving the operators to work safely, hands free.



External Amplifier

Part N°s **SP** SA-3420 **Crosby** 2789096

The SA-3420 external amplifier allows the operator to convert the output of any of the SP cabled load cell products into a three wire 4-20mA analogue output. The weatherproof enclosure is fitted with stainless steel glands and is suitable for connection to a PLC, data logger or other instrumentation.



Handheld Rubber Boot

Part N°s **SP** SU4045 **Crosby** 2789232

Drop tested to one metre at -30°C , this 70SHA rubber boot is purpose moulded to fit and protect the HHP and SW-HHP handheld display against impact, especially when it is used in the harshest industrial environments.

Subsea link

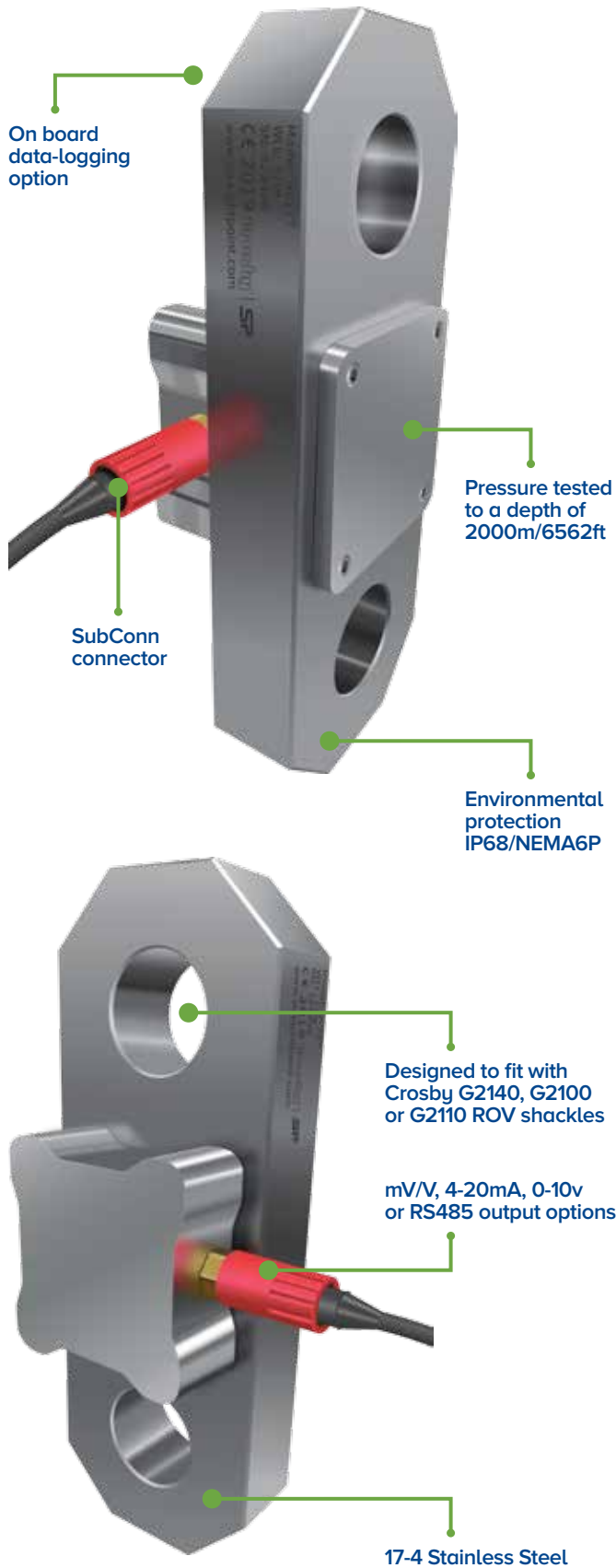
SP's Subsea link (SL) has been manufactured for use in subsea or submersible projects where accurate load monitoring is required.

Constructed from 17-4PH stainless steel with o'ring seals and moulded SubConn connector the SL link design ensures high integrity and will resist saltwater, temperature variations and the water pressure at varying depths of up to 2000m or 6562 feet.

At depth the SL can be handled and rigged via an ROV where it may be inaccessible by a diver/s or cost may prohibit.

Output options include mV/V to the SP Handheld plus, 4-20mA or 0-10v analog to a PLC, Datalogger or The Multi Operation Survey System (MOSS), RS485 or an integral datalogger storing up to one million readings and powered by an internal battery.

Designed to accept Crosby ROV shackles - additionally there is an option for ROV mounting on the SL body itself.

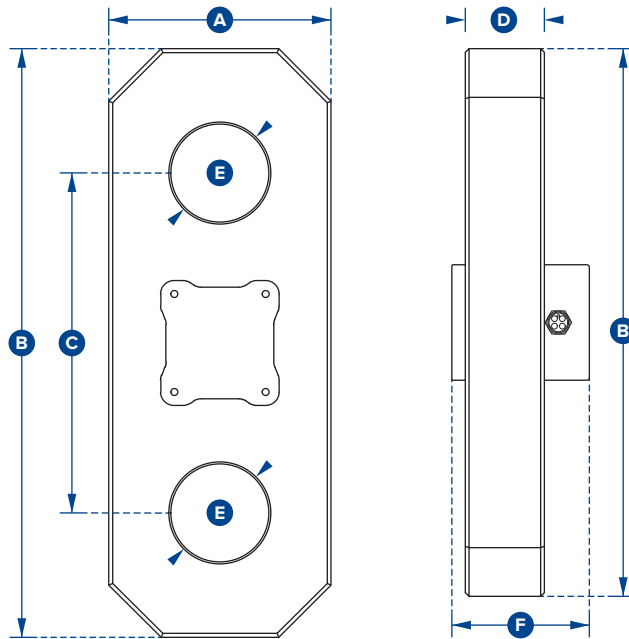


Features and benefits:

- On board data-logging option
- Pressure tested to depth of 2000m/6562ft
- SubConn connector
- Environmental protection IP68/NEMA6P
- mV/V, 4-20mA, 0-10v, RS485 output options
- 17-4 Stainless Steel
- Designed to fit with Crosby ROV shackles

Applications:

- Offshore platforms
- Ships and towing cables
- Aquaculture
- Subsea structure lifting systems
- ROV exploration
- Umbilical load monitoring
- Oceanography or navigation projects
- Renewable energy platforms



| Part Numbers | | | | | | | |
|------------------|--|---------|---------|---------|----------|----------|----------|
| SP | SL6T5 | SL12T | SL25T | SL35T | SL55T | SL85T | SL120T |
| Crosby | 2789352 | 2789353 | 2789354 | 2789355 | 2789356 | 2789357 | 2789358 |
| WLL | 6.5te | 12te | 25te | 35te | 55te | 85te | 120te |
| | 14300lb | 26000lb | 55000lb | 77000lb | 120000lb | 185000lb | 260000lb |
| Weight | 7kg | 10kg | 16kg | 22kg | 34kg | 46kg | 67kg |
| | 15lb | 23lb | 34lb | 49lb | 75lb | 101lb | 148lb |
| Safety Factor | 5:1 | | | | | | |
| Output | Options for: mV/V / 4-20mA / 0-10v / RS485 or internal data logger | | | | | | |
| Operating Temp | -10°C to +50°C / 14°F to 122°F | | | | | | |
| Accuracy | ±0.1% of full scale | | | | | | |
| Max depth of use | 2000 metres / 6562 feet | | | | | | |
| Material | 17-4 PH Stainless steel | | | | | | |
| MTBF to WLL | Typically 50 million cycles | | | | | | |
| Elongation | Typically <0.4mm / at WLL | | | | | | |
| Dimension A | 95 | 100 | 130 | 150 | 168 | 190 | 220 |
| | 3.74" | 3.94" | 5.12" | 5.91" | 6.69" | 7.48" | 8.66" |
| Dimension B | 240 | 300 | 350 | 400 | 450 | 490 | 550 |
| | 9.45" | 11.81" | 13.78" | 15.75" | 17.72" | 19.29" | 21.65" |
| Dimension C | 180 | 200 | 230 | 250 | 260 | 290 | 335 |
| | 7.09" | 7.87" | 9.06" | 9.84" | 10.24" | 11.42" | 13.19" |
| Dimension D | 25 | 40 | 45 | 50 | 65 | 75 | 86 |
| | 0.98" | 1.57" | 1.77" | 1.97" | 2.56" | 2.95" | 3.39" |
| Dimension ØE | 30 | 40 | 55 | 60 | 75 | 88 | 100 |
| | 1.18" | 1.57" | 2.17" | 2.36" | 2.95" | 3.46" | 3.94" |
| Dimension F | 73 | 88 | 93 | 98 | 113 | 123 | 134 |
| | 2.87" | 3.46" | 3.66" | 3.86" | 4.45" | 4.84" | 5.28" |
| Crosby Shackle | G2140 or G2100 or G2110 ROV shackles | | | | | | |

| Datalogger Measurement Rate | Days |
|-----------------------------|------|
| 1 per second | 10 |
| 1 per 30 seconds | 57 |
| 1 per minute | 729 |
| 1 per 2 minutes | 1445 |
| 1 per 30 minutes | 3423 |
| 1 per hour | 3600 |
| 1 per 2 hours | 3694 |
| 1 per 8 hours | 3769 |



Loadlink plus



Known worldwide as the original electronic force measurement device to feature an integral display, the Loadlink plus has been in production since 1979. Over the years, the line has been expanded and it is now used on a daily basis for load monitoring and heavy lifts. These can range in capacity from 1t to 300t, and are used by a variety of industrial and commercial industries including manufacturing, transportation, agriculture, oil and gas, utilities, aerospace and clean energy.

This latest version of the well-known product has advanced features and benefits, providing solutions for today's complicated load test and force monitoring needs. The Loadlink plus features full function push button controls for tare, choice of units (lbs, kg, kN and tonnes), peak hold, preset tare, audible set-point alarm and an overload counter.

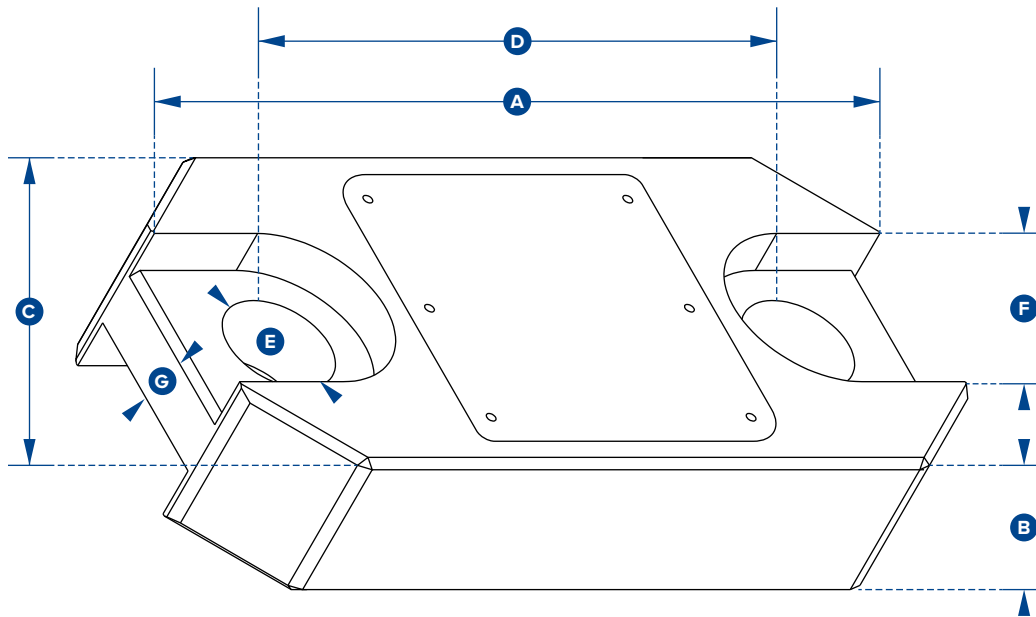
The advanced microprocessor-based electronics provide the Loadlink plus with high speed read rates, extreme resistance to industrial level noise and unprecedented stability. This high stability gives the Loadlink plus over 5,000 divisions and the highest standard resolution of any digital dynamometer on the market today. Constructed of high-grade aircraft quality aluminium, Straightpoint's advanced internal design structure allows the product to once again top the charts with an unmatched weight to strength ratio. Straightpoint's link style dynamometers are on average 30% lighter than their closest competitor with the same safety rating.



Optional Connection
to SP's Handheld plus
SP Crosby
Part Nos.
HHP
2789030
See page 22

Features and benefits:

- Large 25mm or 1" LCD display
- High accuracy
- Selectable units te, lbs, kN & kg
- High resolution
- 100Hz Peak hold
- Push button tare
- Light weight
- Preset tare
- Overload counter
- 90db Audible set point alarm
- RS-485 serial output
- Design validated by F.E.A.
- 2-year warranty
- DNV-GL Type Approval
- Complies with ASME B30.26



| Part Numbers | | | | | | | | | | | | | |
|----------------|---------------------------------|-----------------|------------------|-------------------------------|-----------------|-----------------|------------------|------------------|-------------------|-------------------|-------------------|-------------------|-------------------|
| SP | LLP1T | LLP2T5 | LLP6T5 | LLP12T | LLP25T | LLP35T | LLP55T | LLP75T | LLP100T | LLP150T | LLP200T | LLP250T | LLP300T |
| Crosby | 2789042 | 2789046 | 2789050 | 2789040 | 2789045 | 2789048 | 2789049 | 2789051 | 2789039 | 2789041 | 2789043 | 2789044 | 2789047 |
| Capacity | 1,000kg 2200lb | 2.5te 5500lb | 6.5te 14300lb | 12te 26000lb | 25te 55000lb | 35te 77000lb | 55te 120000lb | 75te 165000lb | 100te 220000lb | 150te 330000lb | 200te 440000lb | 250te 550000lb | 300te 660000lb |
| Resolution | 0.5kg 1lb | 0.001te 2lb | 0.001te 2lb | 0.002te 5lb | 0.005te 10lb | 0.005te 10lb | 0.01te 20lb | 0.01te 20lb | 0.05te 100lb | 0.05te 100lb | 0.1te 200lb | 0.1te 200lb | 0.1te 200lb |
| Units | kg lb | te lb | te lb | te lb | te lb | te lb | te lb | te lb | te lb | te lb | te lb | te lb | te lb |
| Weight | 1.5kg 3.3lb | 1.5kg 3.3lb | 2.4kg 5.3lb | 3.7kg 8.2lb | 5kg 11lb | 8.6kg 19lb | 13kg 28.7lb | 16kg 35.3lb | 34kg 75lb | 46kg 101.4lb | 82kg 180.8lb | 82kg 180.8lb | 118kg 260lb |
| Safety Factor | 12:1 | 7:1 | 7:1 | 7:1 | 5:1 | 5:1 | 5:1 | 5:1 | 5:1 | 4:1 | 5:1 | 4:1 | 5:1 |
| Battery Type | 9v PP3 | | | | | | | | | | | | |
| Battery Life | 80 hours continuous | | | | | | | | | | | | |
| Display Type | 6 digit 25mm or 1" LCD | | | | | | | | | | | | |
| Operating Temp | -10°C to +50°C or 14°F to 122°F | | | | | | | | | | | | |
| Accuracy | ±0.1% of full scale | | | | | | | | | | | | |
| Protection | IP65 or NEMA4X | | | | | | | | | | | | |
| Dimension A | 204 8.03" | 204 8.03" | 249 9.80" | 305 12.01" | 340 13.39" | 393 15.47" | 424 16.69" | 470 18.50" | 608 23.94" | 670 26.38" | 700 27.56" | 700 27.56" | 806 31.73" |
| Dimension B | 43 1.69" | 43 1.69" | 43 1.69" | 47 1.85" | 60 2.36" | 75 2.95" | 75 2.95" | 75 2.95" | 99 3.90" | 99 3.90" | 144 5.67" | 144 5.67" | 150 5.91" |
| Dimension C | 104 4.09" | 104 4.09" | 113 4.45" | 113 4.45" | 115 4.53" | 126 4.96" | 180 7.09" | 202 7.95" | 255 10.04" | 303 11.93" | 350 13.78" | 350 13.78" | 426 16.77" |
| Dimension D | 146 5.75" | 146 5.75" | 165 6.50" | 193 7.60" | 215 8.46" | 225 8.86" | 230 9.06" | 260 10.24" | 320 12.60" | 360 14.17" | 350 13.78" | 350 13.78" | 350 13.78" |
| Dimension ØE | 24.5 0.96" | 24.5 0.96" | 38 1.50" | 47.5 1.87" | 55 2.17" | 60 2.36" | 76 2.99" | 76 2.99" | 109 4.29" | 109 4.29" | 145 5.71" | 145 5.71" | 160 6.30" |
| Dimension F | 48 1.89" | 48 1.89" | 65 2.60" | Not relevant in this capacity | | | | | | | | | |
| Dimension G | 19 0.75" | 19 0.75" | 32 1.26" | | | | | | | | | | |
| Crosby Shackle | G2130 | | | | | | G2140 | | | | | | |
| Loading Pin Ø | 19 3/4" | 19 3/4" | 25 1" | 35 1 3/8" | 51 2" | 57 2 1/4" | 57 2 1/4" | 70 2 3/4" | 83 3 1/4" | 95 3 3/4" | 121 4 3/4" | 127 5" | 152 6" |



Wirelink plus

The Wirelink plus is the non-indicating version of Straightpoint's very popular Radiolink plus and Loadlink plus digital dynamometer tension load cells. This non-indicating Loadlink is designed for use with Straightpoint's Handheld plus digital display, desktop controller PC software (DCP10M) or other form of instrumentation.

Manufactured from aerospace grade aluminium, utilising an advanced internal design structure, this range of non-indicating load cells are extremely lightweight, easy to handle and are used worldwide in an array of industries for lifting, pulling, proof and structural load testing.

The extremely versatile platform can be used with digital displays, including the Straightpoint Handheld plus, PLCs, data acquisition systems (DAQ) etc. They are configured with a vast array of output formats to include mV/V, RS-422, RS-485, utilising the ASCII, MODBUS RTU and CAN-BUS protocols.

A standard analogue output option is available to include:

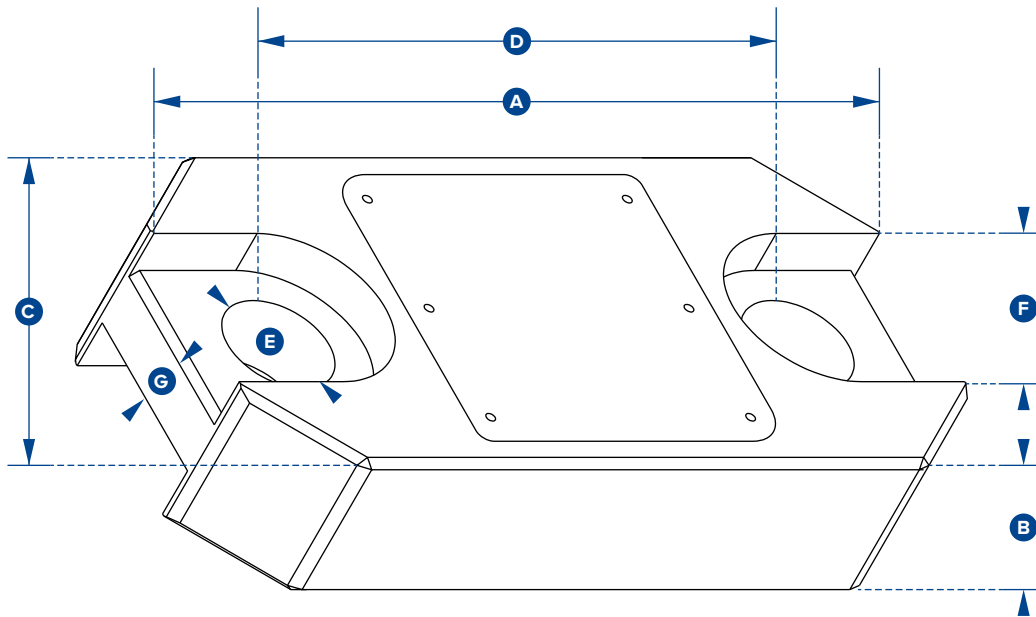
- 3 wire 0-10v
- 3 wire 0-5v
- 4 wire +/-10v
- 3 wire 4-20mA
- 2 wire 4-20mA

The Wirelink plus is supplied with a 10-metre cable as standard, however, usable cable length varies greatly with lengths available to 1,500 metres depending on output format.



Features and benefits:

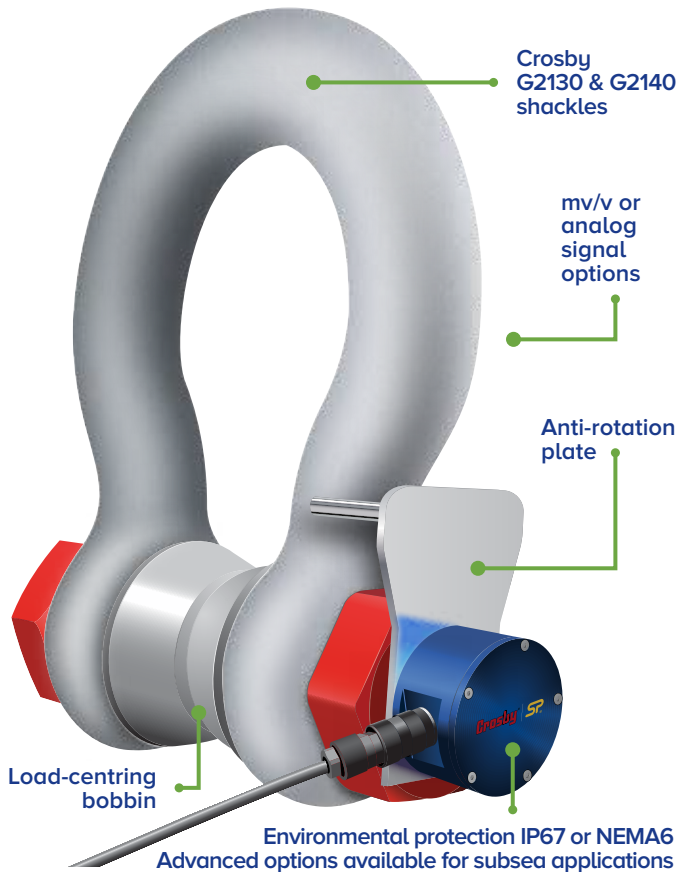
- Constructed of lightweight aluminium
- Available in capacities ranging from 1 to 300 tonnes
- High accuracy
- Multiple output options to include mV/V, analogue out, ASCII, MODBUS RTU and CAN-BUS
- Available with IP68 environmental protection
- Options for subsea use available
- 2-year warranty
- DNV-GL Type Approval
- Complies with ASME B30.26



| Part Numbers | | | | | | | | | | | | | |
|----------------|---------------------------------|-----------------|------------------|-------------------------------|-----------------|-----------------|------------------|------------------|-------------------|-------------------|-------------------|-------------------|-------------------|
| SP | WLP1T | WLP2T5 | WLP6T5 | WLP12T | WLP25T | WLP35T | WLP55T | WLP75T | WLP100T | WLP150T | WLP200T | WLP250T | WLP300T |
| Crosby | 2789154 | 2789158 | 2789273 | 2789152 | 2789157 | 2789160 | 2789269 | 2789161 | 2789151 | 2789153 | 2789155 | 2789156 | 2789159 |
| Capacity | 1,000kg 2200lb | 2.5te 5500lb | 6.5te 14300lb | 12te 26000lb | 25te 55000lb | 35te 77000lb | 55te 120000lb | 75te 165000lb | 100te 220000lb | 150te 330000lb | 200te 440000lb | 250te 550000lb | 300te 660000lb |
| Resolution | 0.5kg 1lb | 0.001te 2lb | 0.001te 2lb | 0.002te 5lb | 0.005te 10lb | 0.005te 10lb | 0.01te 20lb | 0.01te 20lb | 0.05te 100lb | 0.05te 100lb | 0.1te 200lb | 0.1te 200lb | 0.1te 200lb |
| Units | kg lb | te lb | te lb | te lb | te lb | te lb | te lb | te lb | te lb | te lb | te lb | te lb | te lb |
| Weight | 1.5kg 3.3lb | 1.5kg 3.3lb | 2.4kg 5.3lb | 3.7kg 8.2lb | 5kg 11lb | 8.6kg 19lb | 13kg 28.7lb | 16kg 35.3lb | 34kg 75lb | 46kg 101.4lb | 82kg 180.8lb | 82kg 180.8lb | 118kg 260lb |
| Safety Factor | 12:1 | 7:1 | 7:1 | 7:1 | 5:1 | 5:1 | 5:1 | 5:1 | 5:1 | 4:1 | 5:1 | 4:1 | 5:1 |
| Operating Temp | -10°C to +50°C or 14°F to 122°F | | | | | | | | | | | | |
| Accuracy | ±0.1% of full scale | | | | | | | | | | | | |
| Protection | IP67 or NEMA6 | | | | | | | | | | | | |
| Dimension A | 204 8.03" | 204 8.03" | 249 9.80" | 305 12.01" | 340 13.39" | 393 15.47" | 424 16.69" | 470 18.50" | 608 23.94" | 670 26.38" | 700 27.56" | 700 27.56" | 806 31.73" |
| Dimension B | 43 1.69" | 43 1.69" | 43 1.69" | 47 1.85" | 60 2.36" | 75 2.95" | 75 2.95" | 75 2.95" | 99 3.90" | 99 3.90" | 144 5.67" | 144 5.67" | 150 5.91" |
| Dimension C | 104 4.09" | 104 4.09" | 113 4.45" | 113 4.45" | 115 4.53" | 126 4.96" | 180 7.09" | 202 7.95" | 255 10.04" | 303 11.93" | 350 13.78" | 350 13.78" | 426 16.77" |
| Dimension D | 146 5.75" | 146 5.75" | 165 6.50" | 193 7.60" | 215 8.46" | 225 8.86" | 230 9.06" | 260 10.24" | 320 12.60" | 360 14.17" | 350 13.78" | 350 13.78" | 350 13.78" |
| Dimension ØE | 24.5 0.96" | 24.5 0.96" | 38 1.50" | 47.5 1.87" | 55 2.17" | 60 2.36" | 76 2.99" | 76 2.99" | 109 4.29" | 109 4.29" | 145 5.71" | 145 5.71" | 160 6.30" |
| Dimension F | 48 1.89" | 48 1.89" | 65 2.60" | Not relevant in this capacity | | | | | | | | | |
| Dimension G | 19 0.75" | 19 0.75" | 32 1.26" | | | | | | | | | | |
| Crosby Shackle | G2130 | | | | | | G2140 | | | | | | |
| Loading Pin Ø | 19 3/4" | 19 3/4" | 25 1" | 35 1 3/8" | 51 2" | 57 2 1/4" | 57 2 1/4" | 70 2 3/4" | 83 3 1/4" | 95 3 3/4" | 121 4 3/4" | 127 5" | 152 6" |

| Options | | | | | |
|-------------------|------------------------------|-----------------------------|-----------------------------|-------------------------------|-------------------------------|
| Part N° SP Crosby | ICA1 2789220 | ICA2 2789221 | ICA3 2789222 | ICA4 2789223 | ICA5 2789224 |
| Description | 3 wire 0-10v analogue output | 3 wire 0-5v analogue output | 4 wire ±10v analogue output | 3 wire 4-20mA analogue output | 2 wire 4-20mA analogue output |

Loadshackle



Features and benefits:

- Robust construction
- Compact size and low headroom
- Every Loadshackle proof tested
- Lightweight
- Unrivalled resolution
- Push button tare
- Environmentally sealed to IP67 or NEMA6
- Peak hold
- Advanced options available for subsea applications
- Manufactured using industry leading brand shackles
- mv/v or analog signal options
- Design validated by F.E.A.



Requires connection to Crosby|Straightpoint's Handheld plus (HHP) or External Amplifier range (SA-3420) that can be configured to provide outputs such as 4-20mA, 0-10v, 0-5v for PLC or data logger integration.

Straightpoint's Loadshackle is available from stock in capacities of 3.25t to 400t, as well as being obtainable up to 3000t.

Manufactured from Crosby's industry-leading 2130 Carbon and 2140 Alloy Bolt Type Anchor Shackle, the product offers reduced overall weight and headroom, providing a great fit for low headroom applications.

Utilising the same advanced microprocessor based electronics as all Straightpoint products, the cabled Loadshackle benefits from high sampling rates, extreme resistance to industrial level noise and unprecedented stability.

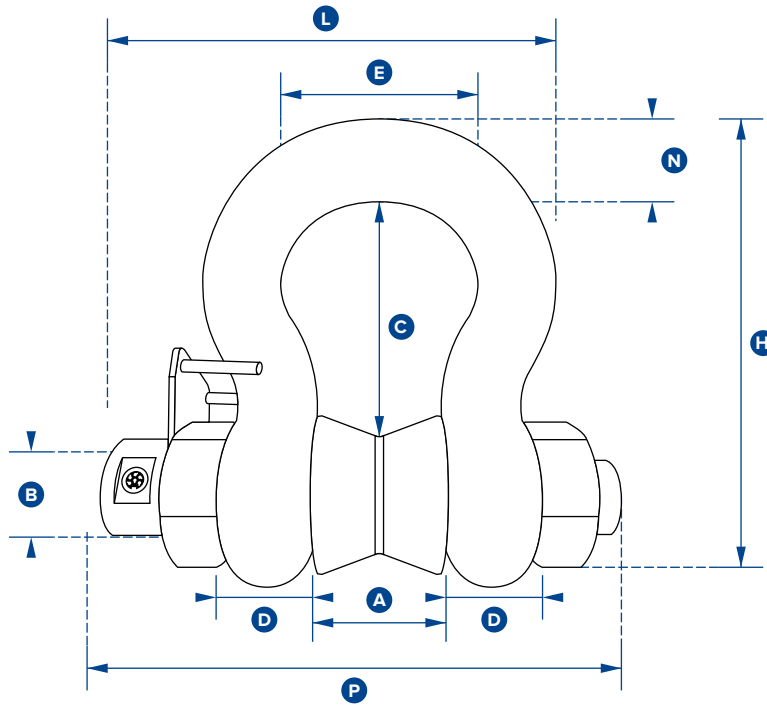
A huge range of tooling allows Straightpoint to calibrate in shackle for extra accuracy, unlike many other load cell manufacturers. Their cabled Loadshackles are also

environmentally sealed to IP67 or NEMA6 and, as an option, sealed for permanent submersion for sub-sea use.

The cabled Loadshackle range can be used with digital displays, including the Straightpoint Handheld plus, PLCs, data acquisition systems (DAQ), etc.

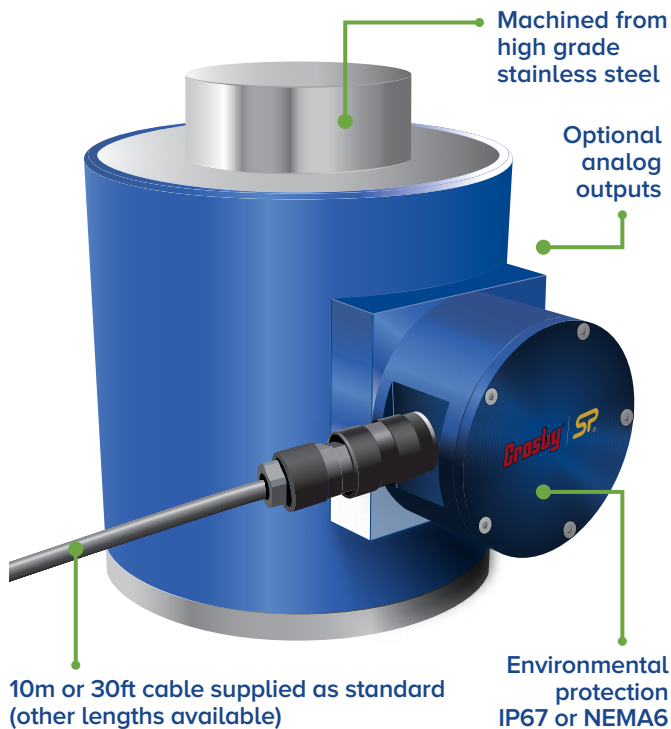
They are configured with a vast array of output formats to include mV/V, RS-422, RS-485, utilising the ASCII, MODBUS RTU and CAN-BUS protocols or supplied with integral amplifier allowing analogue outputs such as 4-20mA, 0-10v, 0-5v etc.

Whether used in heavy lifting, mooring anchor placement or sub-sea applications, Straightpoint's cabled Loadshackle offers robust construction, advanced electronics, industry leading resolution and accuracy - all at a cost-effective, affordable price.



| Part Numbers | | | | | | | | | | |
|----------------|--|---------|---------|---------|-----------|-----------|-----------|-----------|-----------|-----------|
| SP | SLB3.25T | SLB6.5T | SLB12T | SLB25T | SLB55T | SLB85T | SLB120T | SLB200T | SLB300T | SLB400T |
| Crosby | 2789106 | 2789111 | 2789103 | 2789105 | 2789110 | 2789112 | 2789102 | 2789104 | 2789107 | 2789108 |
| Capacity | 3.25te | 6.5te | 12te | 25te | 55te | 85te | 120te | 200te | 300te | 400te |
| | 7150lb | 14300lb | 26400lb | 55000lb | 120000lbs | 185000lbs | 260000lbs | 440000lbs | 660000lbs | 880000lbs |
| Resolution | 0.005te | 0.005te | 0.01te | 0.02te | 0.05te | 0.05te | 0.1te | 0.2te | 0.5te | 0.5te |
| | 10lb | 10lb | 20lb | 50lb | 100lb | 100lb | 200lb | 200lb | 1000lb | 1000lb |
| Units | tonne | | | | | | | | | |
| | lb | | | | | | | | | |
| Weight | 2.8kg | 3.2kg | 8kg | 18kg | 25kg | 45kg | 85kg | 230kg | 398kg | 556kg |
| | 6.16lb | 7lb | 17.6lb | 40lb | 55lb | 99lb | 187lb | 507lb | 877lb | 1226lb |
| Safety Factor | 5:1 when used with load bobbin | | | | | | | | | |
| Operating Temp | -10°C to +50°C or 14°F to 122°F | | | | | | | | | |
| Accuracy | ±1% of full scale | | | | | | | | | |
| Protection | IP67 std [or sub sea as POA option] or NEMA6 | | | | | | | | | |
| Dimension A | 26.9 | 36.6 | 51.5 | 73 | 82.5 | 105 | 127 | 184 | 213 | 210 |
| | 1.06" | 1.44" | 2.03" | 2.87" | 3.25" | 4.13" | 5.00" | 7.24" | 8.39" | 8.27" |
| Dimension ØB | 19.1 | 25.4 | 35.1 | 51 | 57 | 70 | 82.5 | 121 | 152 | 178 |
| | 0.75" | 1.00" | 1.38" | 2.01" | 2.24" | 2.76" | 3.25" | 4.76" | 5.98" | 7.01" |
| Dimension C | 56.9 | 79.7 | 113 | 170 | 189.5 | 253 | 319.5 | 366 | 451 | 542 |
| | 2.24" | 3.14" | 4.45" | 6.69" | 7.46" | 9.96" | 12.58" | 14.41" | 17.76" | 21.34" |
| Dimension D | 14.46 | 22.4 | 31.8 | 44.5 | 51 | 66.5 | 76 | 116 | 124 | 165 |
| | 0.57" | 0.88" | 1.25" | 1.75" | 2.01" | 2.62" | 2.99" | 4.57" | 4.88" | 6.50" |
| Dimension E | 42.9 | 58 | 82.5 | 127 | 164 | 184 | 200 | 279 | 330 | 330 |
| | 1.69" | 2.28" | 3.25" | 5.00" | 6.46" | 7.24" | 7.87" | 10.98" | 12.99" | 12.99" |
| Dimension H | 103.3 | 148 | 210 | 313 | 348 | 453 | 546 | 706 | 871 | 1022 |
| | 4.07" | 5.83" | 8.27" | 12.32" | 13.70" | 17.83" | 21.50" | 27.80" | 34.29" | 40.24" |
| Dimension L | 124.2 | 153.5 | 193.8 | 278 | 303 | 365 | 405 | 577 | 649 | 577 |
| | 4.89" | 6.04" | 7.63" | 10.94" | 11.93" | 14.37" | 15.94" | 22.72" | 25.55" | 22.72" |
| Dimension N | 17.5 | 24.6 | 35.1 | 57 | 61 | 79 | 92 | 127 | 154 | 184 |
| | 0.69" | 0.97" | 1.38" | 2.24" | 2.40" | 3.11" | 3.62" | 5.00" | 6.06" | 7.24" |
| Dimension P | 140 | 170 | 215 | 290 | 314 | 391 | 438 | 664 | 719 | 781 |
| | 5.51" | 6.69" | 8.46" | 11.42" | 12.36" | 15.39" | 17.24" | 26.14" | 28.31" | 30.75" |

Compression Load Cell



Features and benefits:

- Compact size
- Environmentally sealed to IP67 or NEMA6
- Optional analogue outputs
- Stainless steel element
- High accuracy
- Lightweight
- Unrivalled resolution
- 10m or 30ft cable supplied as standard (other lengths available)
- Custom versions available
- Design validated by F.E.A.



Requires connection to Crosby | Straightpoint's Handheld plus (HHP) or External Amplifier range (SA-3420) that can be configured to provide outputs such as 4-20mA, 0-10V, 0-5v for PLC or data logger integration.

Manufactured in ranges from 5te to 1000te - other capacities available on application.

Straightpoint compression load cells are manufactured to the same stringent standards as all Straightpoint products.

The bodies are machined from high grade stainless steel, offering excellent strength and anti-corrosion properties. Compression load cells can be supplied with optional loadcaps to protect objects being tested.

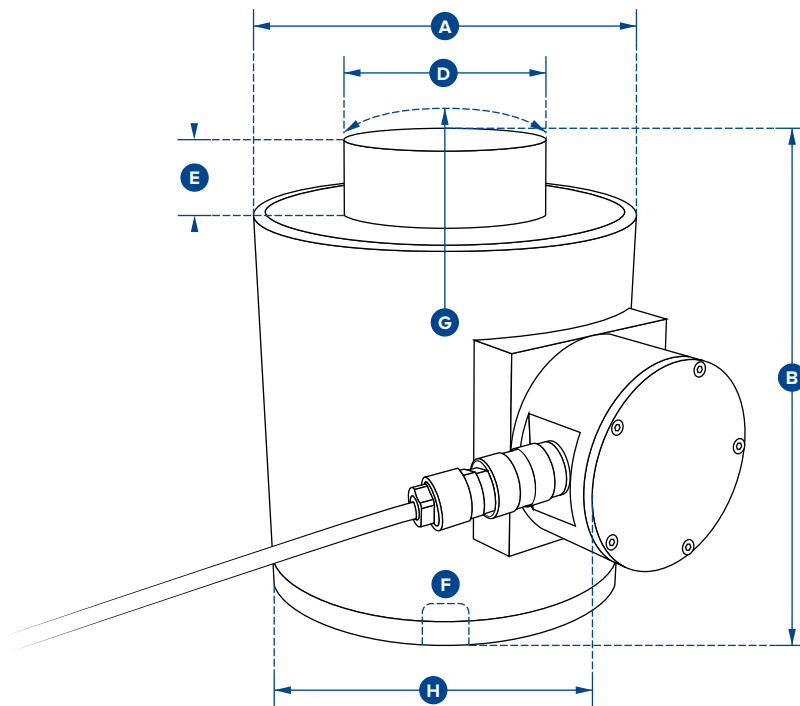
The compact lightweight design provides ease of use and superior portability, allowing Straightpoint compression load cells to be used in a broad range of industries including mining,

energy, defence, heavy rigging, shipping and general transportation sectors.

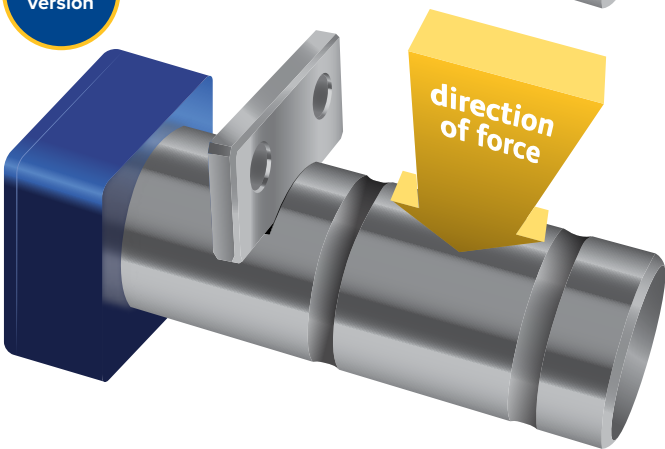
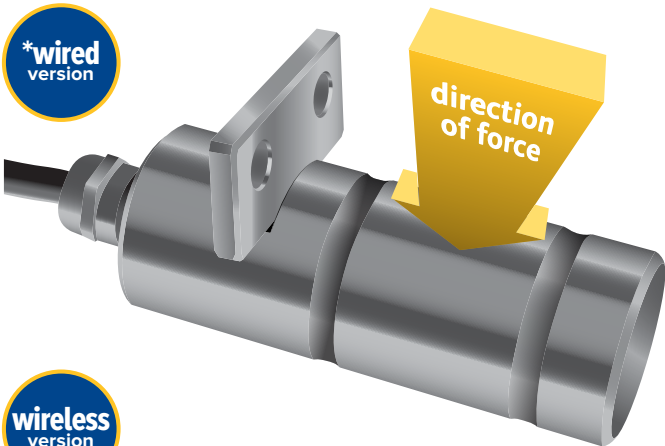
Utilising the same advanced microprocessor based electronics as all Straightpoint products, Straightpoint's compression load cells benefit from high sampling rates, extreme resistance to industrial level noise and unprecedented stability.

This high stability gives this product over 5,000 divisions and the highest standard resolution of any high-capacity compression load cell on the market today.

Like all Straightpoint products, Straightpoint compression load cells offer robust construction, advanced electronics, industry leading resolution and accuracy - all at a cost-effective, affordable price.



| Part Numbers | | | | | | | | | |
|----------------|---------------------------------|------------------------|------------------------|------------------------|------------------------|------------------------|------------------------|------------------------|------------------------|
| SP | NI5TC | NI10TC | NI25TC | NI50TC | NI100TC | NI150TC | NI300TC | NI500TC | NI1000TC |
| Crosby | 2789068 | 2789062 | 2789065 | 2789067 | 2789061 | 2789063 | 2789064 | 2789066 | 2789275 |
| Capacity | 5te 11000lb | 10te 22000lb | 25te 55000lb | 50te 110000lb | 100te 220000lb | 150te 330000 | 300te 660000lb | 500te 1100000lb | 1000te 2200000lb |
| Resolution | 0.001te 2lb | 0.002te 5lb | 0.005te 10lb | 0.01te 20lb | 0.05te 100lb | 0.05te 100lb | 0.1te 200lb | 0.2te 500lb | 0.5te 1000lb |
| Units | tonne | | | | | | | | |
| | lb | | | | | | | | |
| Weight | 6.2kg 13.64lb | 6.2kg 13.64lb | 6.2kg 13.64lb | 6.2kg 13.64lb | 15.5kg 34lb | 15.5kg 34lb | 65kg 143lb | 65kg 143lb | 172kg 379lb |
| Safety Factor | 3:1 | | | | | | | | |
| Operating Temp | -10°C to +50°C 14°F to 122°F | | | | | | | | |
| Accuracy | ±0.1% of full scale | | | | | | | | |
| Protection | IP67 NEMA6 | | | | | | | | |
| Dimension ØA | 100 3.94" | 100 3.94" | 100 3.94" | 100 3.94" | 152 5.98" | 152 5.98" | 185 7.28" | 185 7.28" | 362 14.25" |
| Dimension B | 127 5.00" | 127 5.00" | 127 5.00" | 127 5.00" | 184 7.24" | 184 7.24" | 300 11.81" | 300 11.81" | 310 12.20" |
| Dimension ØD | 59 2.32" | 59 2.32" | 59 2.32" | 59 2.32" | 80 3.15" | 80 3.15" | 155 6.10" | 155 6.10" | 270 10.63" |
| Dimension E | 16 0.63" | 16 0.63" | 16 0.63" | 16 0.51" | 26 1.02" | 26 1.02" | 27.5 1.08" | 27.5 1.08" | 40 1.57" |
| Dimension F | M18 x 2.5 M18 x 2.5 | M18 x 2.5 M18 x 2.5 | M18 x 2.5 M18 x 2.5 | M20 x 2.5 M20 x 2.5 | M20 x 2.5 M20 x 2.5 | M20 x 2.5 M20 x 2.5 | M20 x 2.5 M20 x 2.5 | M20 x 2.5 M20 x 2.5 | M30 x 3.5 M30 x 3.5 |
| Dimension G | 152 5.98" | 152 5.98" | 152 5.98" | 152 5.98" | 432 17.01" | 432 17.01" | 432 17.01" | 432 17.01" | 950 37.40" |
| Dimension H | 158 6.22" | 158 6.22" | 158 6.22" | 158 6.22" | 204 8.03" | 204 8.03" | 237 8.03" | 237 8.03" | 416 16.38" |



Applications:

- Marine tankers, offshore platforms
- Elevator and floor conveyor testing and certification
- Bearing blocks, pivots and shackles
- Cable laying equipment
- Rope, chain and brake anchors
- Bridge support cables
- Mooring lines
- Pulleys and sheaves
- Crane cables
- Hoisting gear
- Winches
- Design validated by F.E.A.

Please note: Please advise cable configuration on order - Radial or Axial pin exit.
If you require a Loadpin to a particular size and design, download Straightpoint's Loadpin questionnaire and return, POA. www.straightpoint.com/loadpin.html



Requires connection to Crosby|Straightpoint's Handheld plus (HHP) or External Amplifier range (SA-3420) that can be configured to provide outputs such as 4-20mA, 0-10v, 0-5v for PLC or data logger integration.

The Straightpoint range of Load Measurement Pins (LMP's) are designed for use in applications where an end of line load cell cannot be used, meaning an integrated solution is required.

Often a customised solution, they are manufactured from high tensile stainless steel and are normally supplied complete with an anti-rotation plate as a cabled or wireless solution.

Built to withstand the harshest environments in industries such as marine and offshore oil and gas, they are suitable for use in exposed situations and can also be supplied to withstand immersion in seawater at extreme depths.

Straightpoint Loadpins are typically connected to Straightpoint's Handheld plus, or may be supplied with a vast array of output formats. These include mV/V, RS-422, RS-485, utilising the ASCII, MODBUS RTU and CAN-BUS protocols or an analogue output such as 4-20mA for PLC integration. All are also supplied with a 10 metre or 32ft cable as standard, however, usable cable length varies greatly with lengths available to 1500 metres or 4900ft, depending on output format.

Please email your enquiry to: sales@straightpoint.com

Also available with hazardous area approval. Zones 0, 1 & 2



ATEX / IECEX

Ex ia II C T4 Ga

Certification numbers:

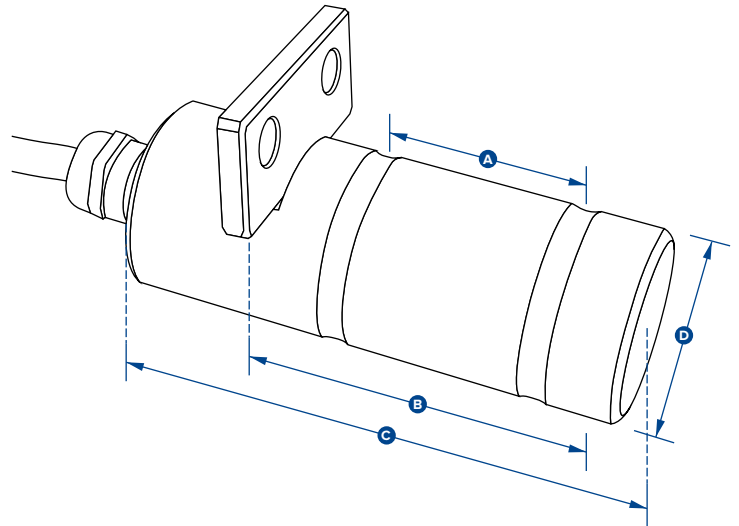
LP ATEX

IECEX SIR 16.0041X / Sira 16ATEX2108X

SW-HHP ATEX

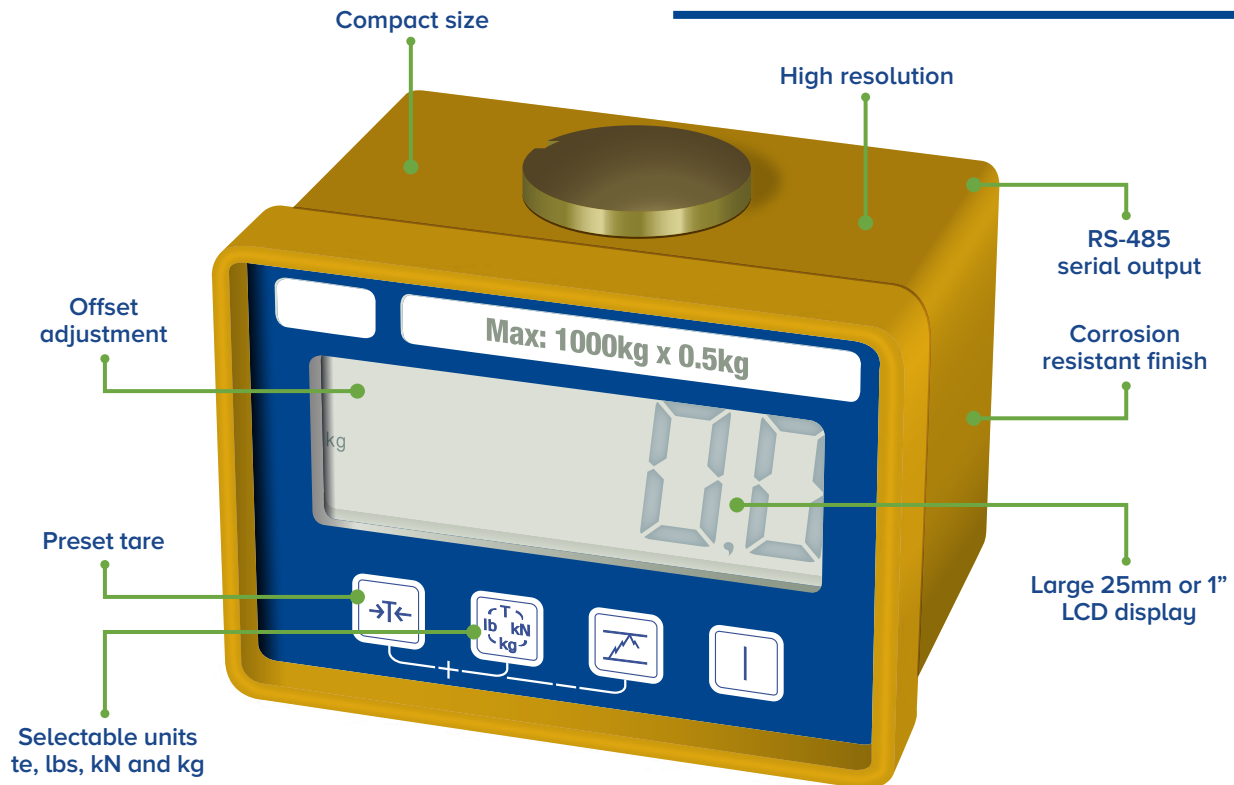
IECEX SIR 15.0072X / Sira 15ATEX2196X

Add 'ATEX' to the part number when ordering ATEX/IECEX products. For example: LP500KG-ATEX



| Part Numbers | | | | | | | | | | | | | | |
|----------------|---|------------------|-----------------|-----------------|------------------|-----------------|-----------------|------------------|-------------------|-------------------|--------------------|--------------------|---------------------|---------------------|
| SP | LP500KG | LP1T | LP2.5T | LP3.5T | LP6.5T | LP15T | LP25T | LP50T | LP100T | LP250T | LP500T | LP750T | LP1000T | LP1500T |
| Crosby | 2789276 | 2789277 | 2789278 | 2789279 | 2789280 | 2789281 | 2789282 | 2789283 | 2789284 | 2789285 | 2789286 | 2789287 | 2789288 | 2789289 |
| Capacity | 500kg 1100lb | 1000kg 2200lb | 2.5te 5500lb | 3.5te 7700lb | 6.5te 14000lb | 15te 33000lb | 25te 55000lb | 50te 110000lb | 100te 220000lb | 250te 550000lb | 500te 1100000lb | 750te 1650000lb | 1000te 2200000lb | 1500te 3300000lb |
| Resolution | 0.2kg 0.5lb | 0.5kg 1lb | 0.001te 2lb | 0.001te 2lb | 0.002te 5lb | 0.002te 5lb | 0.005te 10lb | 0.01te 20lb | 0.05te 100lb | 0.1te 200lb | 0.2te 500lb | 0.2te 500lb | 0.5te 1000lb | 0.5te 1000lb |
| Units | kgs, tonnes | | | | | | | | | | | | | |
| | lbs | | | | | | | | | | | | | |
| Weight | 0.9kg 0.4lb | 1kg 0.5lb | 1.2kg 0.9lb | 1.4kg 1.3lb | 2kg 2.6lb | 3.1kg 5lb | 5.6kg 10.3lb | 8.6kg 18lb | 11.8kg 24lb | 29.8kg 64lb | 79.2kg 172lb | 146kg 319lb | 275kg 603lb | 389kg 854lb |
| Safety Factor | 300% of SWL | | | | | | | | | | | | | |
| Operating Temp | -20°C to +70°C | | | | | | | | | | | | | |
| | -4°F to 158°F | | | | | | | | | | | | | |
| Accuracy | ±1% of full scale | | | | | | | | | | | | | |
| Protection | IP67 [IP68 available as an option] | | | | | | | | | | | | | |
| | NEMA6 [NEMA6P available on application] | | | | | | | | | | | | | |
| Dimension A | 24 0.94" | 35 1.38" | 45 1.77" | 50 1.97" | 63 2.48" | 75 2.95" | 89 3.50" | 102 4.02" | 110 4.33" | 130 5.12" | 225 8.86" | 295 11.61" | 360 14.17" | 430 16.93" |
| Dimension B | 36 1.42" | 49 1.93" | 70 2.76" | 75 2.95" | 95 3.74" | 114 4.49" | 152 5.98" | 178 7.01" | 190 7.48" | 220 8.66" | 370 14.57" | 500 19.69" | 612 24.09" | 731 28.78" |
| Dimension C | 70 2.76" | 80 3.15" | 100 3.94" | 105 4.13" | 125 4.92" | 150 5.91" | 195 7.68" | 225 8.86" | 230 9.06" | 300 11.81" | 440 17.32" | 590 23.23" | 712 28.03" | 832 32.76" |
| Dimension ØD | 20 0.79" | 20 0.79" | 25 0.98" | 30 1.18" | 40 1.57" | 50 1.97" | 63 2.48" | 75 2.95" | 88 3.46" | 125 4.92" | 170 6.69" | 200 7.87" | 250 9.84" | 275 10.83" |

Loadblock plus



The Loadblock plus is a low capacity, self-indicating compression load cell, used in many testing and load monitoring applications worldwide.

The integral display eliminates the need for a separate display or cable assembly that can be easily damaged. Applications include the measurement of loads associated with the testing of hydraulic presses, cylinders or jacks.

This latest version of Straightpoint's Loadblock has advanced features and benefits that provide solutions for today's complicated load test, as well as force monitoring needs. Features include full function push button controls for tare, units of measure (lbs, kg, kN and tonnes), peak hold, pre-set tare, audible set-point alarm and an overload counter.

This crucial overload alarm counter is a requirement for many safety and quality control departments, as it keeps track of overload events. Should this occur, the load cell in question can be removed from service immediately, following the calibration-voiding overload event. It can then be sent out for proper testing and, if necessary, a recalibration can be done before it re-enters service.

The advanced microprocessor based electronics provide the Loadblock plus with high speed read rates (500/sec), extreme

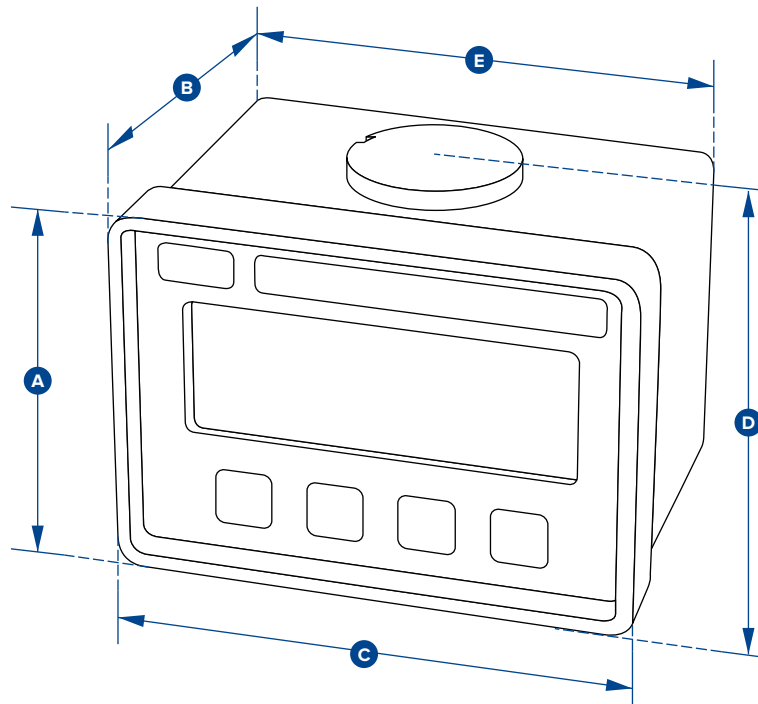
resistance to industrial level noise and unprecedented stability.

This high stability provides the Loadblock plus with 5,000+ divisions and the highest standard resolution of any self-indicating compression load cell on the market today.

The unit also features a RS-485 serial output port allowing for remote viewing with either the Handheld plus digital display/controller or Windows PC desktop controller data logging software.

Features and benefits:

- Large 25mm or 1" LCD Display
- High resolution
- 100Hz Peak hold
- Compact size
- Push button tare
- Preset tare
- RS485 port for connection to datalogging system
- Selectable units te, lbs, kN and kg



| Part Numbers | LBP250KG | | LBP500KG | | LBP1T | | LBP2T | | LBP5T | |
|----------------|------------------------------------|--------|----------|--------------------------------|---------|--|---------|--|---------|--|
| SP | 2789035 | | 2789037 | | 2789034 | | 2789036 | | 2789038 | |
| Crosby | 2789035 | | 2789037 | | 2789034 | | 2789036 | | 2789038 | |
| Capacity | 250kg | 500kg | 1te | 2te | 5te | | | | | |
| | 550lb | 1100lb | 2200lb | 4400lb | 11000lb | | | | | |
| Resolution | 0.1kg | 0.2kg | 0.0005te | 0.001te | 0.001te | | | | | |
| | 0.2lb | 0.5lb | 1lb | 2lb | 2lb | | | | | |
| Units | t, kg, kN and lb | | | | | | | | | |
| | lb, te, kN and kg | | | | | | | | | |
| Weight | 900g | 900g | 900g | 1.5kg | 3.1kg | | | | | |
| | 2lb | 2lb | 2lb | 3.3lb | 6.8lb | | | | | |
| Safety Factor | 4:1 | 5:1 | 5:1 | 5:1 | 5:1 | | | | | |
| Battery Type | 9v PP3 | | | | | | | | | |
| Battery Life | 80hrs continuous | | | | | | | | | |
| Display Type | 6 digit 25mm LCD or 6 digit 1" LCD | | | | | | | | | |
| Operating Temp | -10°C to 50°C or 14°F to 122°F | | | | | | | | | |
| Accuracy | ±0.1% of full scale | | | | | | | | | |
| Protection | IP65 or NEMA4X | | | | | | | | | |
| Dimension A | 81 | 81 | 81 | 92 | 92 | | | | | |
| | 3.19" | 3.19" | 3.19" | 3.62" | 3.62" | | | | | |
| Dimension B | 81 | 81 | 81 | 117 | 136 | | | | | |
| | 3.19" | 3.19" | 3.19" | 4.61" | 5.35" | | | | | |
| Dimension C | 113 | 113 | 113 | 112 | 112 | | | | | |
| | 4.45" | 4.45" | 4.45" | 4.41" | 4.41" | | | | | |
| Dimension D | 90 | 90 | 90 | 104 | 115 | | | | | |
| | 3.54" | 3.54" | 3.54" | 4.09" | 4.53" | | | | | |
| Dimension E | 104 | 104 | 104 | Not available in this capacity | | | | | | |
| | 4.09" | 4.09" | 4.09" | | | | | | | |

Miniweigher plus



Features and benefits:

- Large 25mm or 1" LCD Display
- High Accuracy
- Selectable Units te, lbs, kN & kg
- High Resolution
- Compact Size
- Tare
- Preset Tare
- Lightweight
- Overload Counter
- 90dB Audible Set Point Alarm
- RS-485 Serial Output
- Corrosion-Resistant Finish

Optional connection to Straightpoint's Handheld plus - **SP Crosby** Part Nos. **HHP 2789030**
See page 22.

This small and compact mini crane weigher scale will suit most lifting applications and is available in capacities from 100kg to 5t.

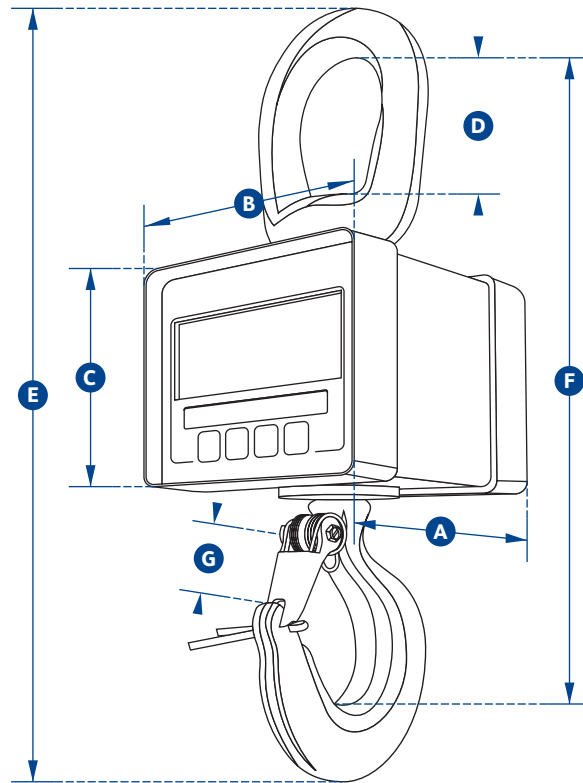
Worldwide, it is Straightpoint's most popular product and has been manufactured since 1987. The Miniweigher plus crane scale offers robust construction, high accuracy, compact size and extreme portability.

Utilised by utility companies on every continent, the Miniweigher plus crane scale is quite often mounted between a winch and a tripod. This mounting point allows for load monitoring to be integrated within the lift, ensuring safety levels during the lowering and raising of equipment and/or personnel are optimised. It has proven itself to be an indispensable tool for underground sewer, water, gas and utility vault access.

The Miniweigher plus features full function push button controls for tare, choice of units (lbs, kg, kN and tonnes), peak hold, preset tare, audible set-point alarm and an overload counter.

Straightpoint's advanced microprocessor based electronics provide the Miniweigher plus with high speed read rates, extreme resistance to industrial level noise and unprecedented stability. This high stability allows 5,000+ divisions and the highest standard resolution of any compact digital crane scale on the market today. The unit also features a RS-485 serial output providing added functionality and versatility.

In all, the lightweight design, corrosion-resistant finish, advanced electronics and full feature display have made the Miniweigher plus crane scale the only choice when looking for a compact, safe and accurate, crane scale.



| Part Numbers | MWP100KG | MWP250KG | MWP500KG | MWP1T | MWP2T | MWP5T |
|----------------|--------------------------------------|----------------|-----------------|------------------|----------------|-----------------|
| SP | | | | | | |
| Crosby | 2789055 | 2789057 | 2789059 | 2789056 | 2789058 | 2789060 |
| Capacity | 100kg 220lb | 250kg 550lb | 500kg 1100lb | 1000kg 2200lb | 2t 4400lb | 5t 11000lb |
| Resolution | 0.05kg 0.1lb | 0.1kg 0.2lb | 0.2kg 0.5lb | 0.5kg 1lb | 0.001t 2lb | 0.001t 2lb |
| Units | t, kg, kN and lb lb, t, kg and kN | | | | | |
| Weight | 1.5kg 3.3lb | 1.5kg 3.3lb | 1.5kg 3.3lb | 1.5kg 3.3lb | 3.1kg 6.8lb | 8.7kg 19.2lb |
| Safety Factor | 10:1 | 5:1 | 5:1 | 5:1 | 5:1 | 5:1 |
| Battery Type | 9v PP3 | | | | | |
| Battery Life | 80 hours continuous | | | | | |
| Display Type | 6 digit 25mm LCD or 6 digit 1" LCD | | | | | |
| Operating Temp | -10°C to +50°C or 14°F to 122°F | | | | | |
| Accuracy | ±0.1% of full scale | | | | | |
| Protection | IP65 or NEMA4X | | | | | |
| Dimension A | 82 3.23" | 82 3.23" | 82 3.23" | 82 3.23" | 117 4.61" | 136 5.35" |
| Dimension B | 113 4.45" | 113 4.45" | 113 4.45" | 113 4.45" | 112 4.41" | 112 4.41" |
| Dimension C | 81 3.19" | 81 3.19" | 81 3.19" | 81 3.19" | 92 3.62" | 92 3.62" |
| Dimension D | 50 1.97" | 50 1.97" | 50 1.97" | 50 1.97" | 64 2.52" | 98 3.86" |
| Dimension E | 240 9.45" | 240 9.45" | 240 9.45" | 240 9.45" | 320 12.60" | 444 17.48" |
| Dimension F | 208 8.19" | 208 8.19" | 208 8.19" | 208 8.19" | 271 10.67" | 365 14.37" |
| Dimension G | 22 0.87" | 22 0.87" | 22 0.87" | 22 0.87" | 28 1.10" | 42 1.65" |

Accreditations/Affiliations

Accreditations

Third party accreditation communicates to our customers and prospects that we comply with internationally recognised standards, building confidence whilst demonstrating our commitment to safety and quality.



FM 584438

ISO 9001 is the internationally recognised standard for the quality management of businesses. Our BSI accreditation means that we have been assessed against internationally recognised standards and operate to the highest levels of quality and service, providing further assurance to you that the certificate issued to us is credible.



Ex/IECEx approval on Straightpoint wireless product range, all connected to the first of its kind. Hand Control SW-HHPEX, Radiolink plus, Loadshackle, Compression Load Cell, Loadpin and Running Line Tensiometer.



All Straightpoint products are CE marked. CE is an abbreviation of the French phrase "Conformité Européene" which means "European Conformity". CE Marking on a product is our declaration that the product complies with the essential requirements of the relevant European health, safety and environmental protection legislation.



CSA Group is a global provider of testing, inspection and certification services for products from a wide range of market sectors, and a leader in safety and environmental certification for Canada and the US. They are one of the largest standards development organisations in North America—their CSA certification mark appears on billions of products worldwide.



DNV GL enables organisations to advance the safety and sustainability of their business, providing them with classification, technical assurance, software and independent expert advisory services to the maritime, oil and gas and energy industries. Operating in more than 100 countries, their professionals are dedicated to helping customers make the world safer, smarter and greener.

Affiliations



LEEA is established across the globe as the respected and authoritative representative body for all those involved in the lifting industry worldwide, representing their members at the highest levels across a range of both public and private bodies. The association has played a key role in this specialised field for over 70 years, from training and standards setting through to health and safety, the provision of technical and legal advice, and the development of examination and licensing systems.



ASME is the leading international developer of codes and standards associated with the art, science, and practice of mechanical engineering. Starting with the first issuance of its legendary Boiler & Pressure Vessel Code in 1914, ASME's codes and standards have grown to nearly 600 offerings currently in print. These offerings cover a breadth of topics, including pressure technology, nuclear plants, elevators / escalators, construction, engineering design, standardisation, and performance testing.



AWRF was formed in 1975 and incorporated the following year by a group of concerned businessmen who felt there was a need for sling fabricators and special rigging components manufacturers to join together to form a trade association. Originally created by representatives from nine companies in the United States, in two decades the organisation grew to concentrate on the needs of over 400 member companies worldwide.



SC&RA is an international trade association of nearly 1,300 member companies from 43 nations. Members are involved in specialised transportation, machinery moving and erecting, industrial maintenance, millwrighting, crane and rigging operations, manufacturing and rental. It helps run more efficient and safer businesses by monitoring and affecting pending legislation and regulatory policies at the state and national levels; researching and reporting on safety concerns and best business practices.



construction

Tower cranes weighing materials with a digital dynamometer, using compression load cells to monitor piling loads, testing of reinforced steelworks or real-time monitoring of building load distribution are all applications where Straightpoint can offer a load monitoring solution.

Straightpoint's range of wireless tension and compression load cells connected to our impressive range of handheld displays or multi Load cell data logging or centre of gravity software are used throughout the worldwide construction industry on a daily basis.

logistics

From simple logistics and shipping weighing to measuring forces on mooring tension lines, Straightpoint have a solution. Products are IP rated and constructed from marine-grade materials to ensure that they remain accurate, reliable and most importantly, safe for use.

For weighing up to 5t the Miniweigher plus is the go-to compact crane scale for safe and accurate weighing. Straightpoint's bestselling Radiolink plus takes care of the heavier lifts, allowing the operator to safely stand at distance of 700m or 2300 feet from the load.

For moving lines with no dead end to rig a digital dynamometer, the TIMH dynamic load monitoring system will measure tension in motion and display either via cable or wirelessly to the monitoring station.

oil and gas

In the oil and gas centres of Scotland, Scandinavia and the gulf states of the USA the Radiolink plus load cell, along with the new addition of the Radiolink Plus ATEX / IECEx, are the industry standard for weighing and dynamic load monitoring applications.

For lower headroom applications our wireless load shackles are also the first choice for service trucks and riggers in the oilfields. A rugged handheld display with easy to change AA batteries, no external antennae and industry leading wireless range allow the operator to stand at a safe distance in the most hazardous areas up to zone 0.

utilities

Utility companies across the globe all use Straightpoint products.

Power line tensioning, pump station maintenance and critical lift monitoring are all applications for Straightpoint's range of load cells. No utility service truck is complete without a Straightpoint product in its kit.

marine

For offshore, subsea and general marine applications Straightpoint have a range of Running Line Dynamometers, Loadshackles and Shear Pin load cells. Straightpoint's Loadshackles and Loadpin products can be manufactured for subsea use if required and output options such as 4-20mA or Modbus.

For mooring, cable laying and winch applications, the TIMH running line dynamometer can be used to measure both tension and line out.

heavy lift

When large industrial items such as absorbers, generators, turbines, reactors, boilers, towers, locomotives, boats, military equipment or offshore industry parts such as oil rigs and production platforms have to be moved on short lead times, heavy lift companies need large capacity load cells.

For many heavy lift projects there is an absence of standardisation which requires an individual transport planning and with a range of tension and compression load cells and software including an ISO19901 compliant centre of gravity software package in stock and ready to ship Straightpoint's commitment to the heavy lift industry is second-to-none.

towage and salvage

Load monitoring is essential in the marine, towing and mooring industries as ever changing sea states create unknown and variable loads.

stage and event rigging

With safety in mind, Straightpoint has a range of stage and event rigging load cells. The load shackle and low headroom link are specifically useful where there is little head room space.

Up to 100 load cells can be connected to the wireless load shackle via Straightpoint's software SW-MWLC100 for more complex applications.

testing

Load testing with water bags, other weights or fixed load points are ideal applications for the Straightpoint range of load cells.

Straightpoint's Radiolink plus, Wireless shackle load cells or compression load cells, used in parallel with the Proof Test plus software package, testing can be performed at a safe distance. All dynamic and static forces are logged onto a test certificate for later analysis and client approval.



the Crosby group[®]

Unit 9, Dakota Park, Downley Road, Havant, Hampshire, PO9 2NJ UK · Tel: +44 (0)2392 484491
2801 Dawson Road, Tulsa, OK 74110 · USA · Tel: +1 (918) 834-4611

www.straightpoint.com · sales@straightpoint.com

thecrosbygroup.com

Part No. SU3697 v6 - 9992530